
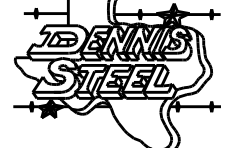
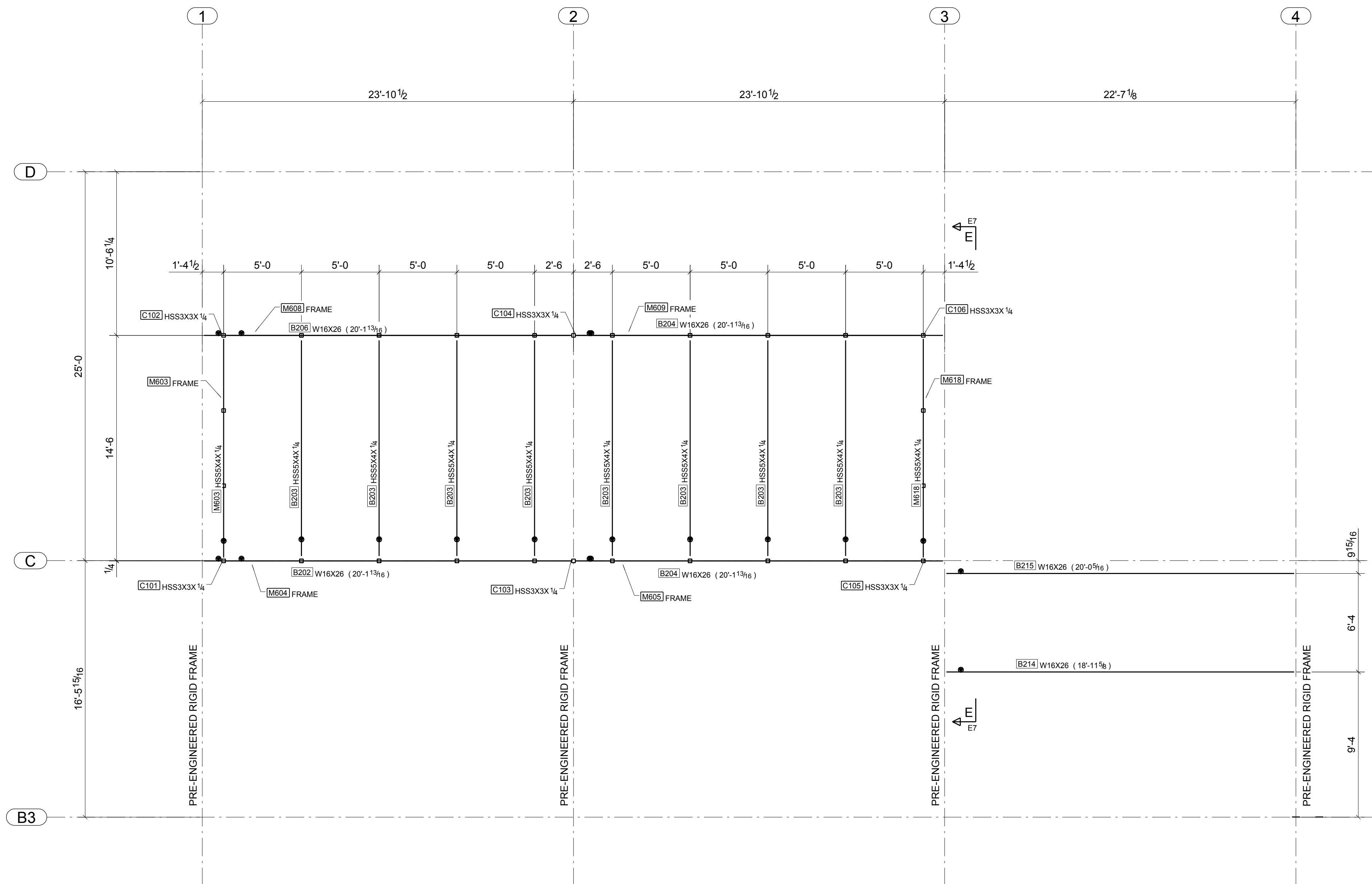


STRUCTURAL STEEL FRAMING - KEY PLAN
 MAIN STRUCTURE IS PRE-ENG FRAMING BY OTHERS



REVISIONS			
NO.	DATE	DESCRIPTION	REV. BY
2	10/31/13	ISSUED FOR CONSTRUCTION	MS
1	9/18/13	ISSUED FOR APPROVAL	MS
A	8/7/13	PRELIMINARY - RFI REVIEW ONLY	MS

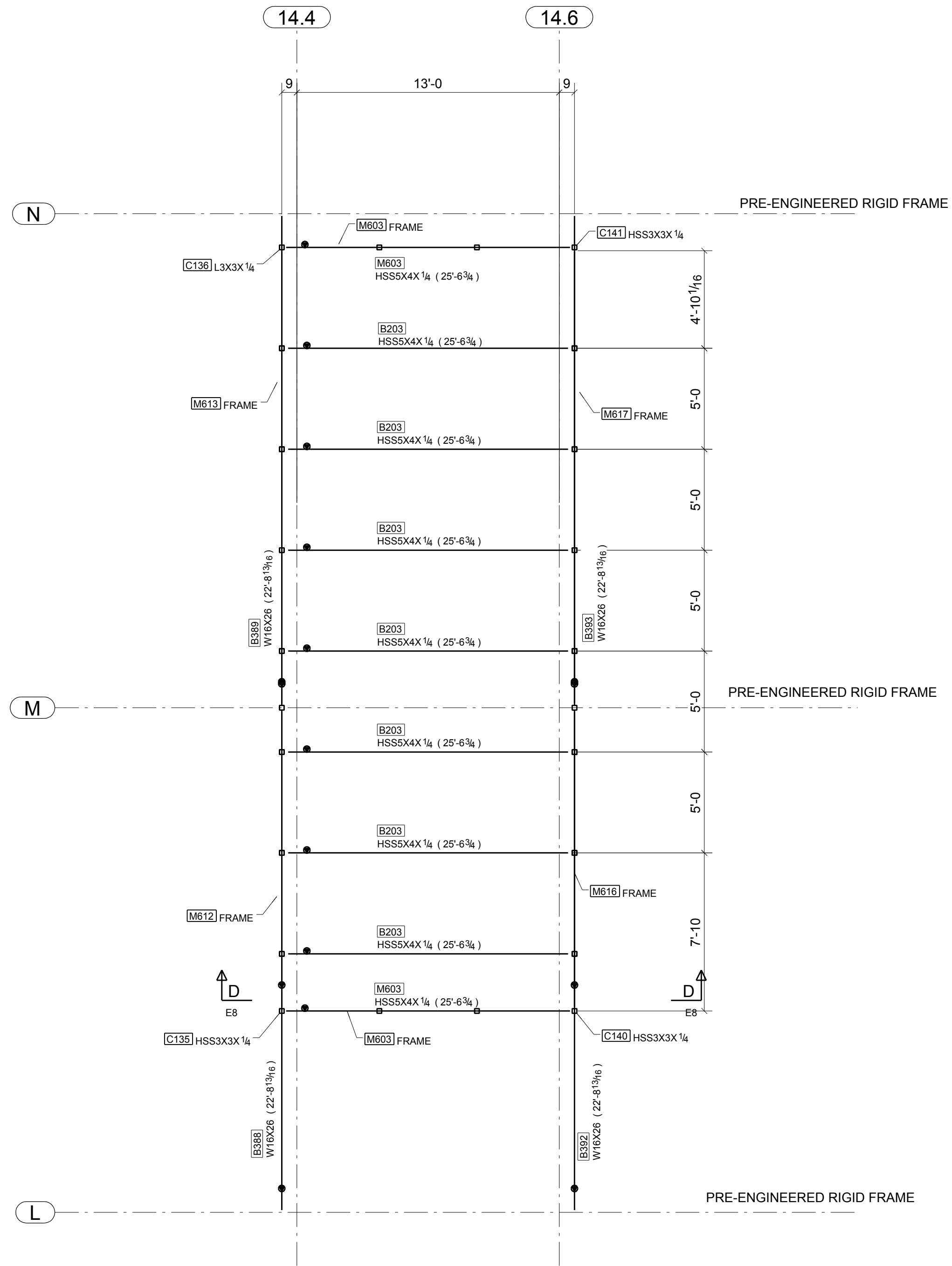
 DENNIS STEEL, INC. 1105 LEANDER DR- LEANDER TX 78641 PH 512 259-4001 / FAX 512 259-1070					
				PAINT	HOLES U.N.
PROJECT		DATE		DATE	
TRAILS - 620 MEDICAL SHELL		07/30/2013		07/30/2013	
3809 SOUTH 2ND STREET #D-200		DRAWN BY		MWS	
WILSON PARKE MANAGEMENT, LLC		DESCRIPTION		CHK'D BY	
PLAN LAYOUT		ARCH.		JOB NO.	
LM HOLDER III F.A.I.		ENG. AUSTIN TX 78704		5465	
CUSTOMER		STRUCTURA INC.		SHT. NO.	
				E3	



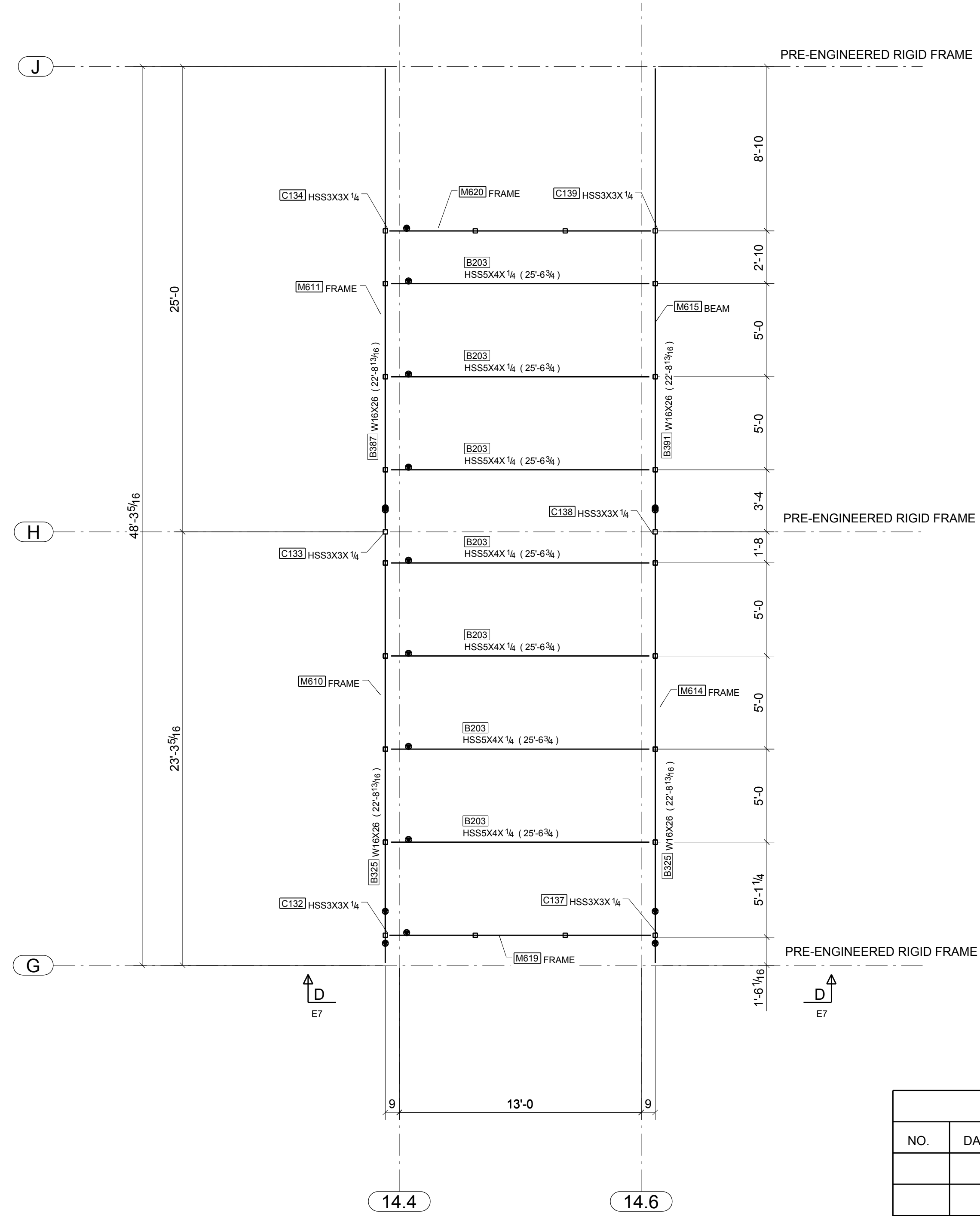
PLAN VIEW AT AREA 3
MECHANICAL FRAMING

REVISIONS			
NO.	DATE	DESCRIPTION	REV. BY
2	10/31/13	ISSUED FOR CONSTRUCTION	MS
1	9/18/13	ISSUED FOR APPROVAL	MS
A	7/30/13	PRELIMINARY - RFI REVIEW ONLY	MS

		DENNIS STEEL, INC. 1105 LEANDER DR- LEANDER TX 78641 PH 512 259-4001 / FAX 512 259-1070		
		PAINT	HOLES U.N.	
PROJECT		TRAILS - 620 MEDICAL SHELL 3809 SOUTH 2ND STREET #D-200 WILSON PARKE MANAGEMENT, LLC		DATE
DESCRIPTION		AREA 3 FRAMING		DRAWN BY
ARCH.	LM HOLDER III F.A.I.	ENG.	AUSTIN TX 78704	JOB NO.
CUSTOMER	STRUCTURA INC.			5465
				SHT. NO.
				E4


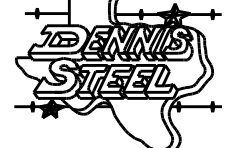


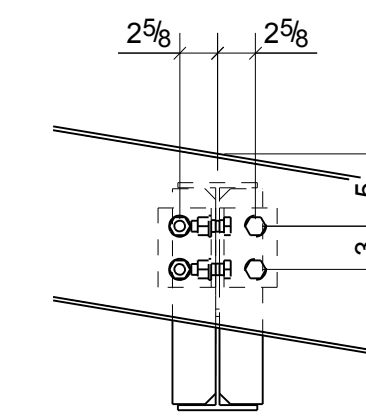
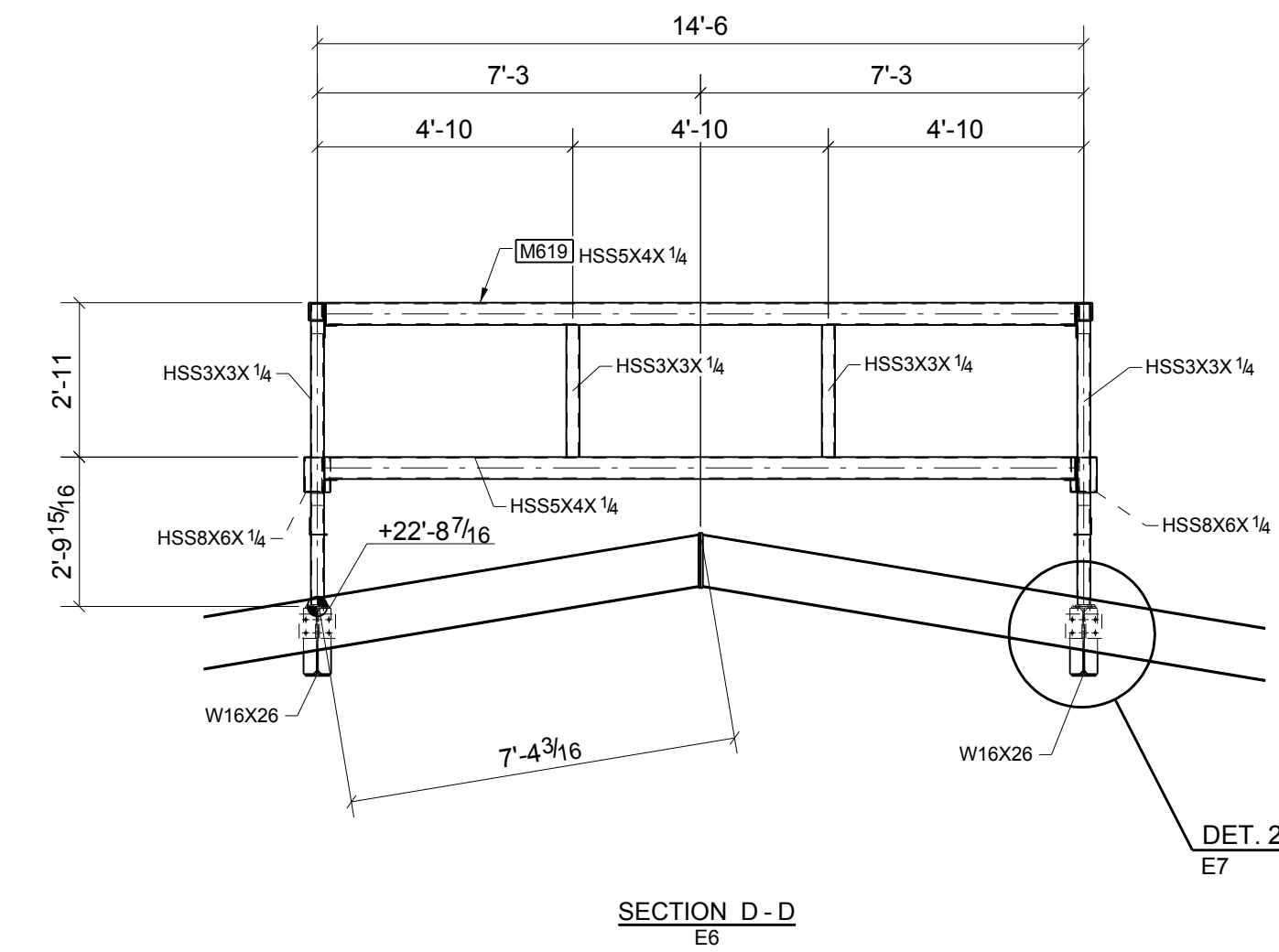
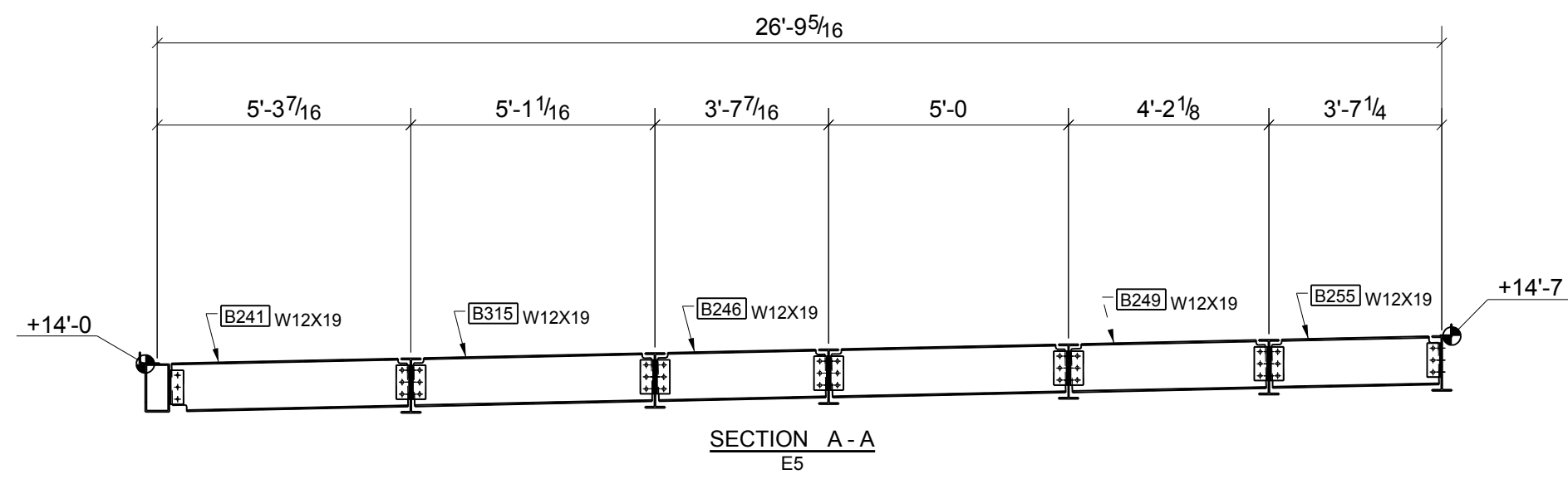
PLAN VIEW AT AREA 8
MECHANICAL FRAMING



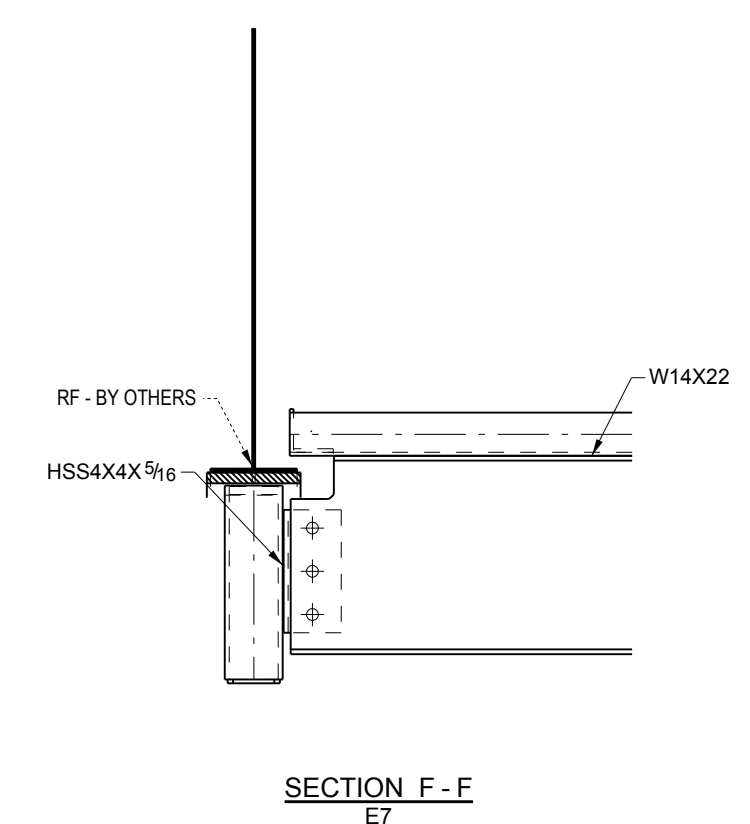
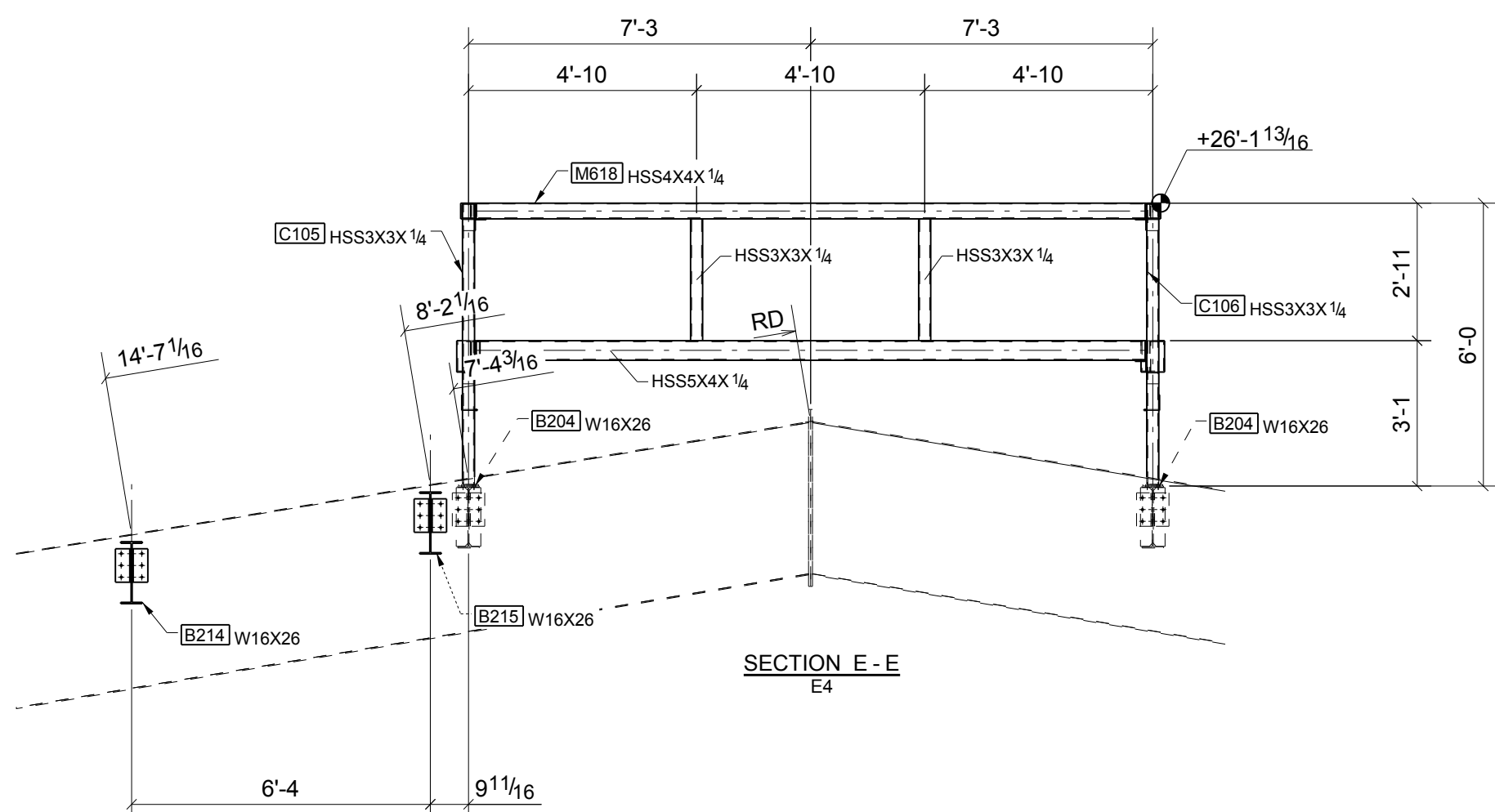
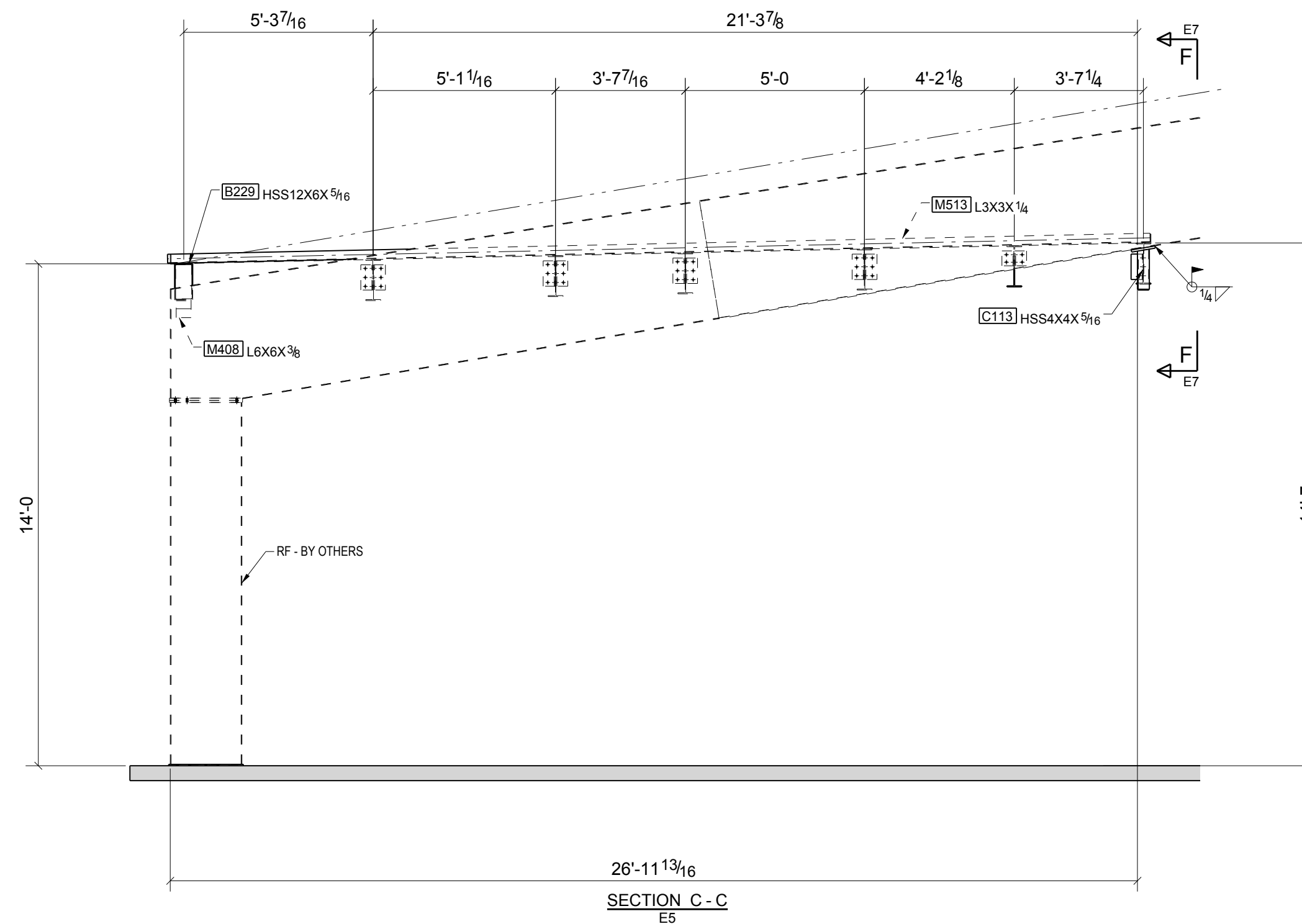
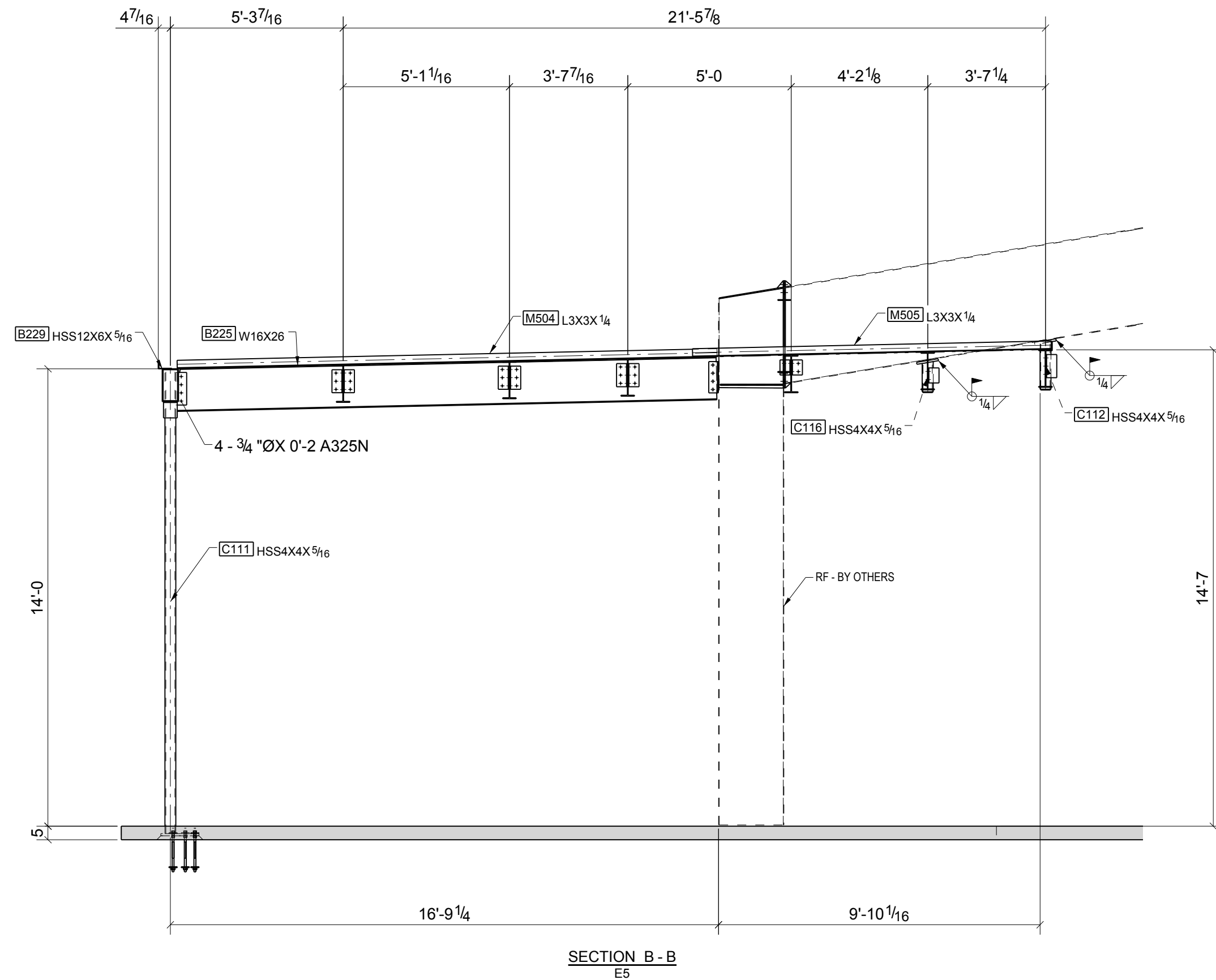
PLAN VIEW AT AREA 10
MECHANICAL FRAMING

REVISIONS			
NO.	DATE	DESCRIPTION	REV. BY
2	10/31/13	ISSUED FOR CONSTRUCTION	MS
1	9/18/13	ISSUED FOR APPROVAL	MS
A	7/30/13	PRELIMINARY - RFI REVIEW ONLY	MS

 DENNIS STEEL, INC. 1105 LEANDER DR- LEANDER TX 78641 PH 512 259-4001 / FAX 512 259-1070			
			PAINT HOLES U.N. WELD U.N. E70XX APPL SHOP
PROJECT TRAILS - 620 MEDICAL SHELL 3809 SOUTH 2ND STREET #D-200 WILSON PARKE MANAGEMENT, LLC			DATE 07/30/2013 DRAWN BY MWS
DESCRIPTION AREA 8 - 10 FRAMING			CHKD BY
ARCH. LM HOLDER III F.A.I.	ENG. AUSTIN TX 78704	JOB NO. 5465	SHT. NO. E6
CUSTOMER STRUCTURA INC.			

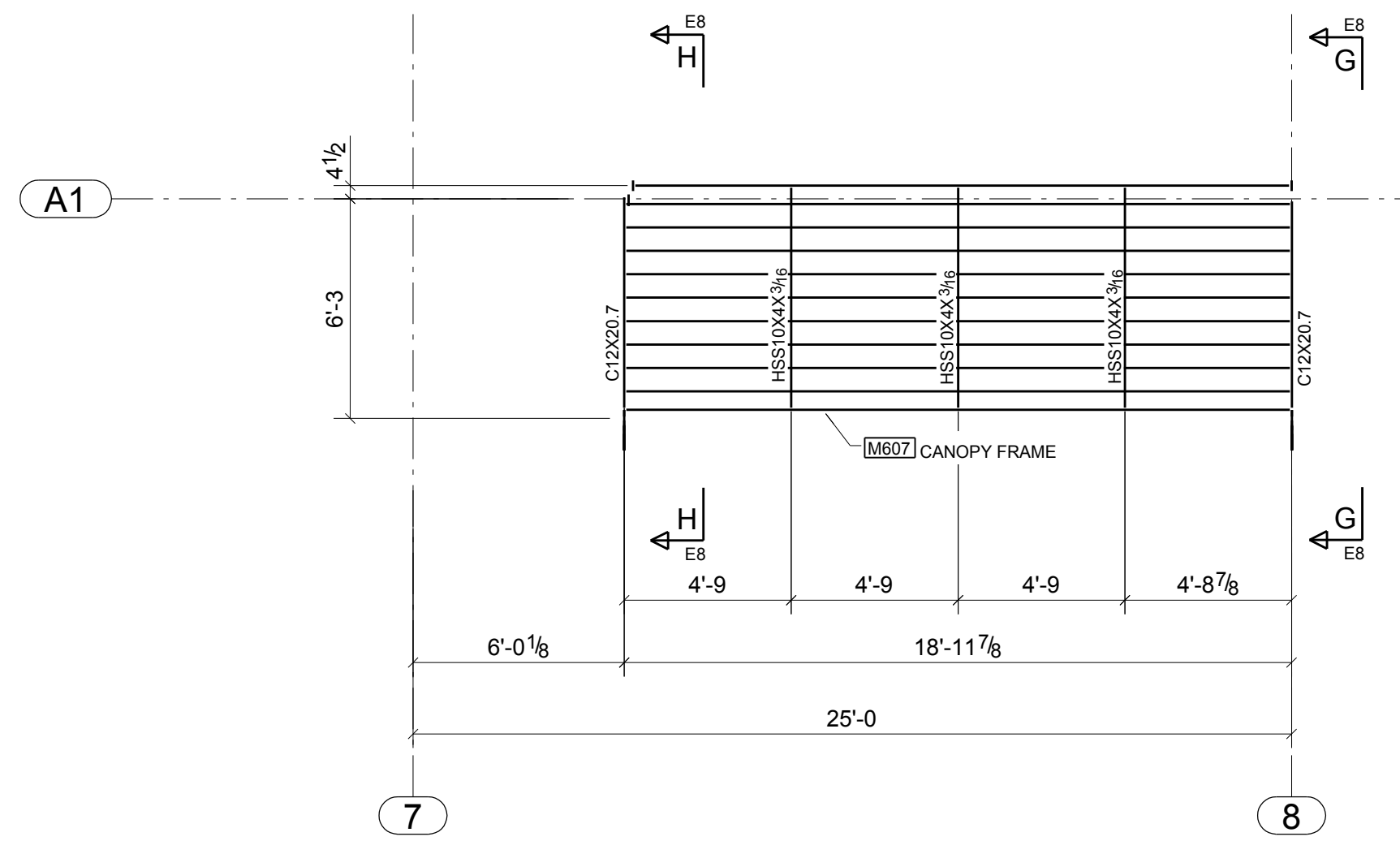


DETAIL - 2
E7 - TYP. BOLT SPACING
USED AT ALL ROOF BEAMS

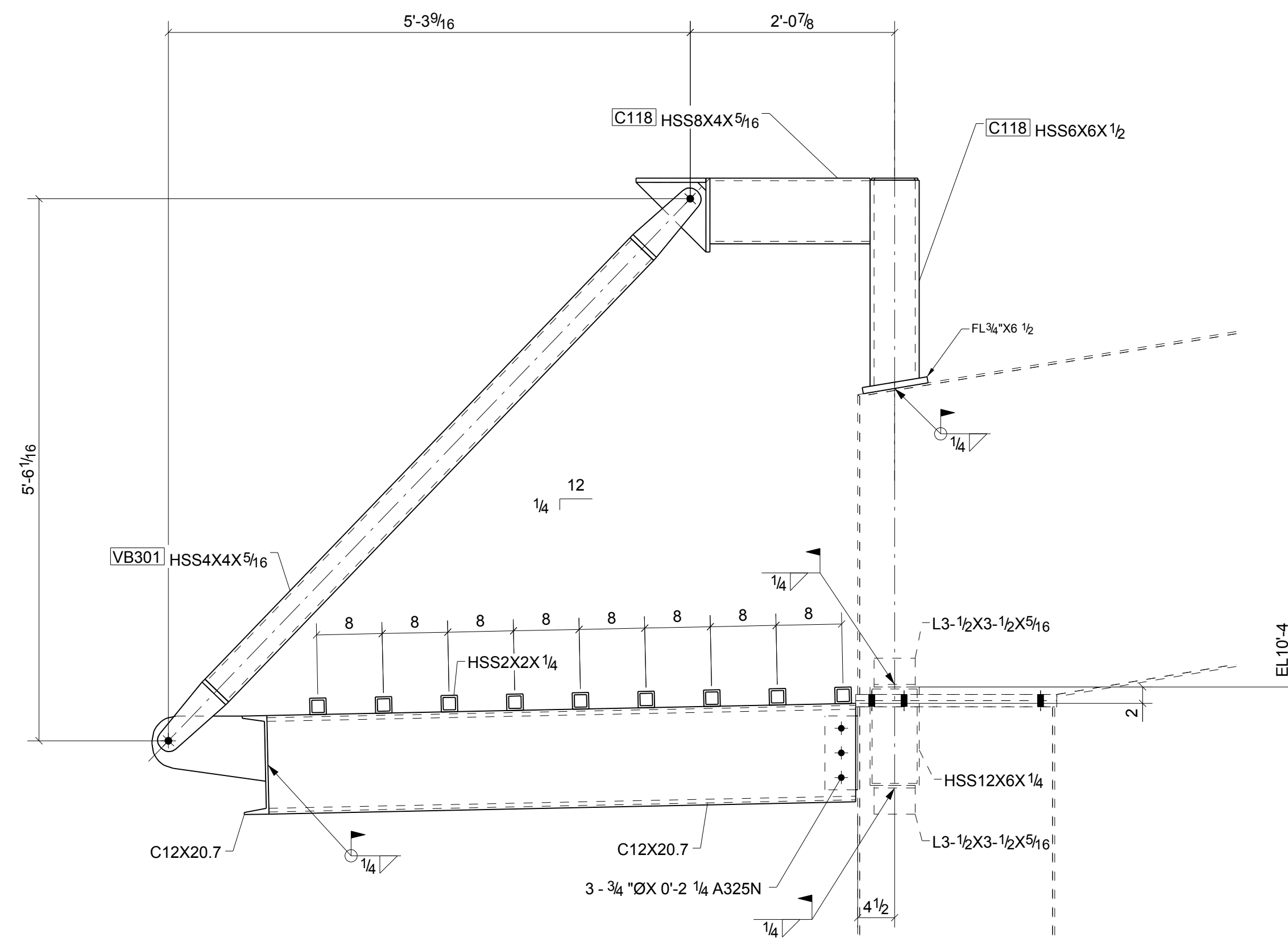


REVISIONS			
NO.	DATE	DESCRIPTION	REV. BY
2	10/31/13	ISSUED FOR CONSTRUCTION	MS
1	9/18/13	ISSUED FOR APPROVAL	MS
A	7/30/13	PRELIMINARY - RFI REVIEW ONLY	MS

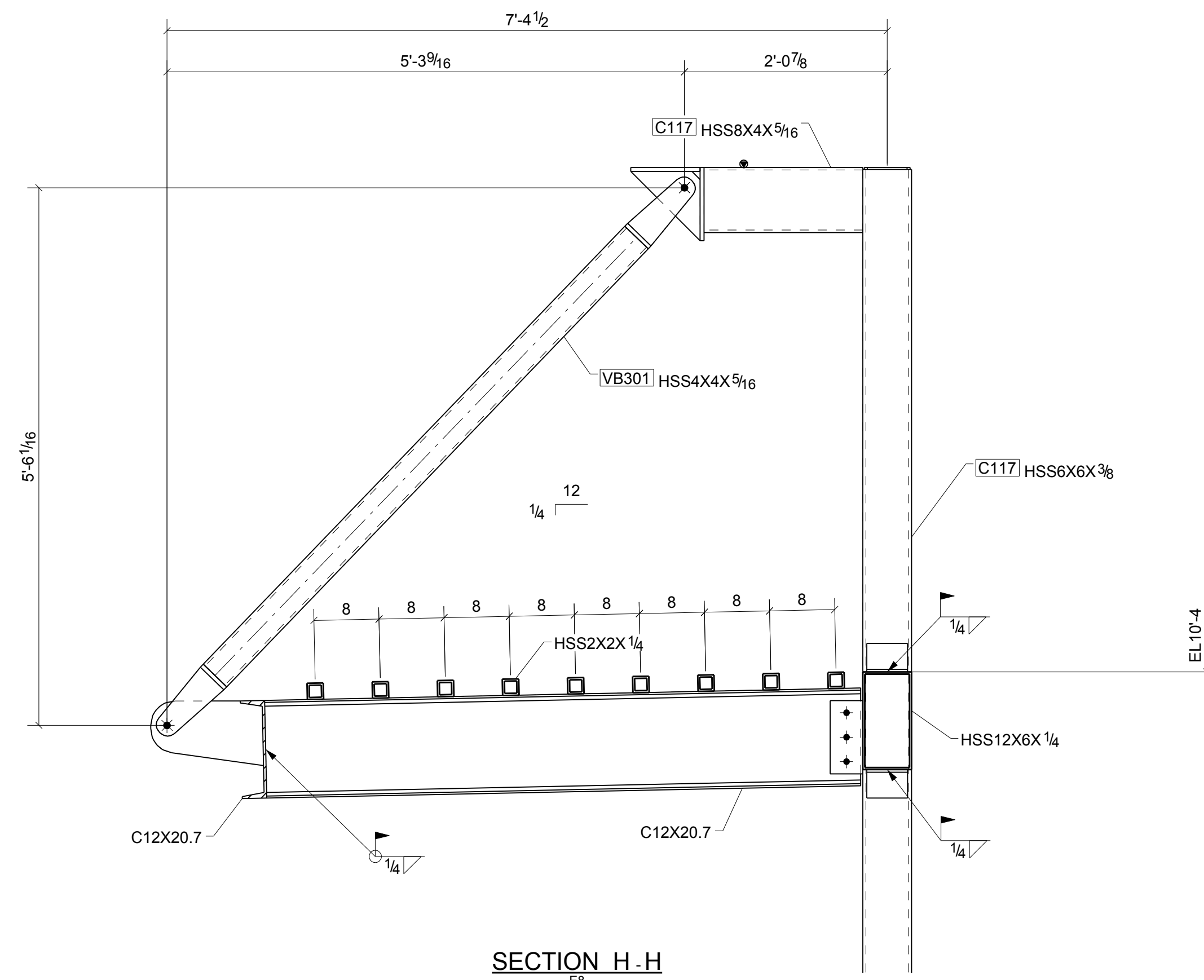
		DENNIS STEEL, INC. 1105 LEANDER DR- LEANDER TX 78641 PH 512 259-4001 / FAX 512 259-1070		PAINT	HOLES U.N.	WELD U.N.	APPL	SHOP
				E70XX				
PROJECT		TRAILS - 620 MEDICAL SHELL 3809 SOUTH 2ND STREET #D-200 WILSON PARKE MANAGEMENT, LLC			DATE		07/30/2013	
DESCRIPTION		SECTIONS			DRAWN BY		MWS	
ARCH.	LM HOLDER III F.A.I.	ENG.	AUSTIN TX 78704	JOB NO.	5465		SHT. NO.	
CUSTOMER	STRUCTURA INC.					E7		



PLAN VIEW AT AREA 5
CANOPY FRAMING


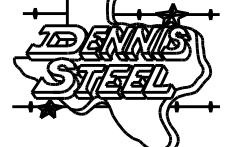


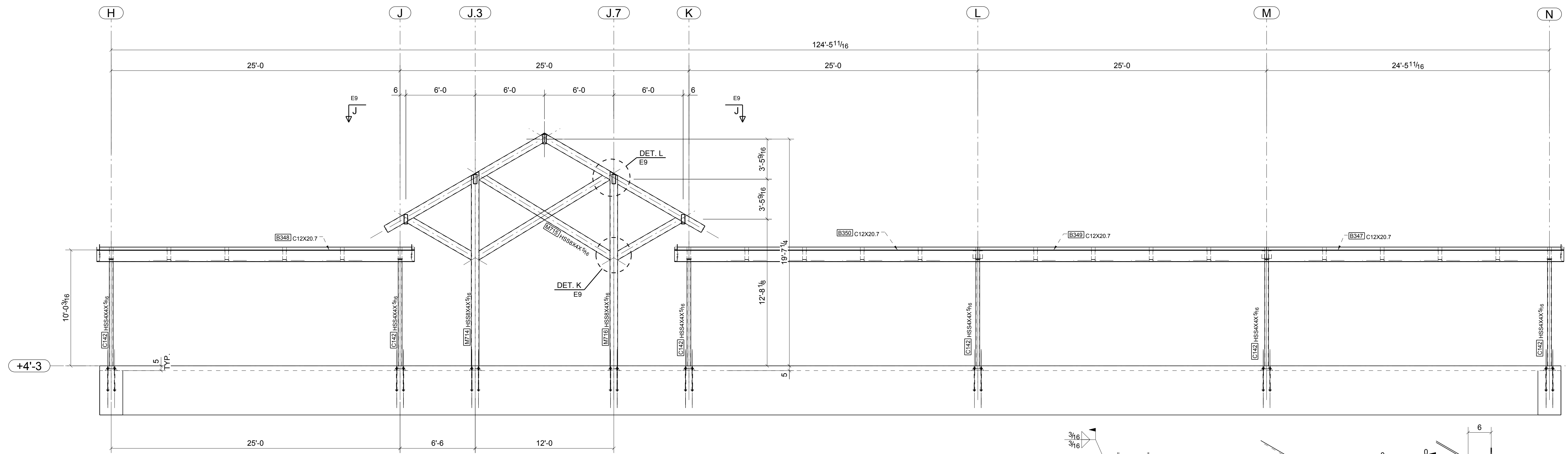
SECTION G-G
E8



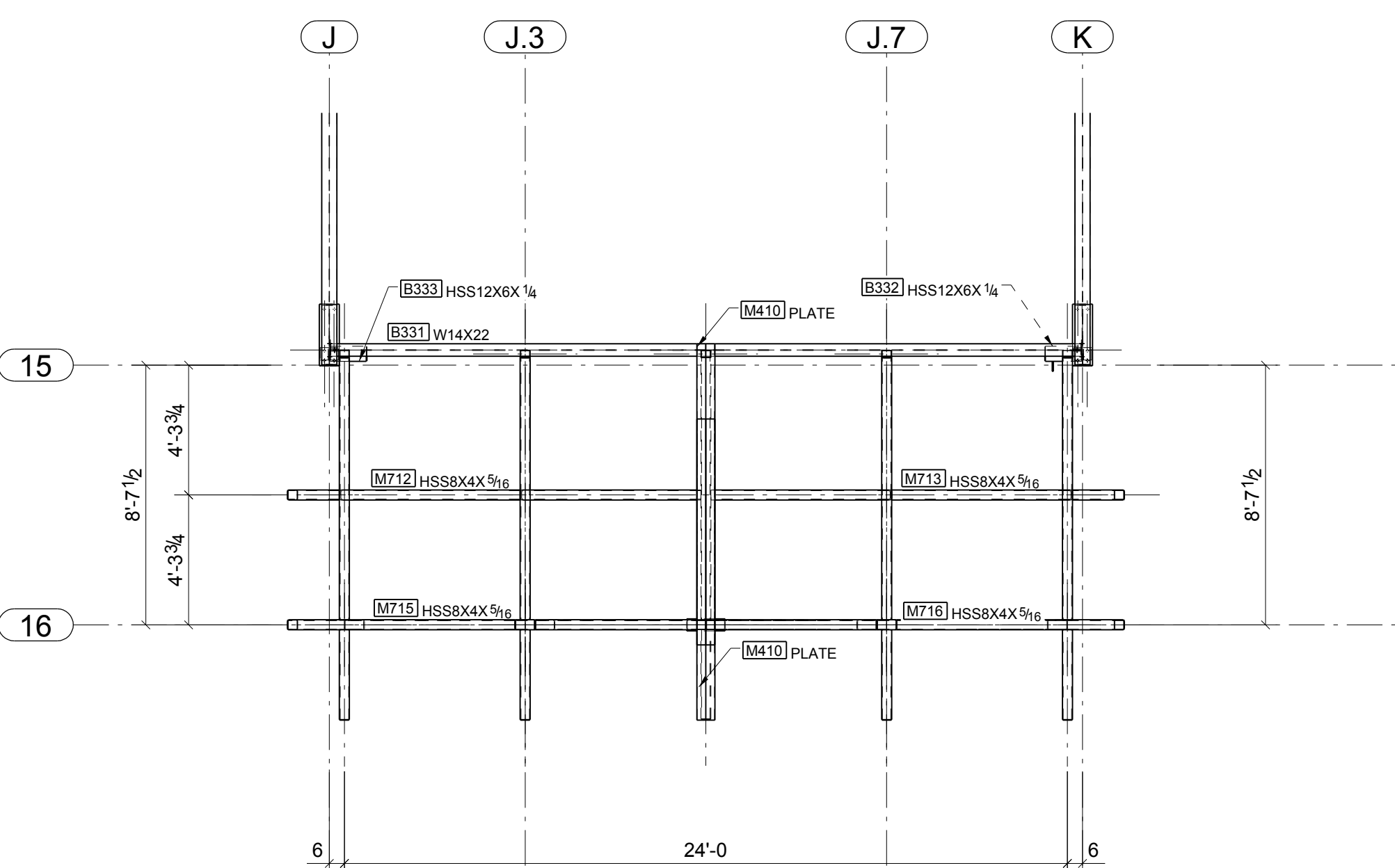
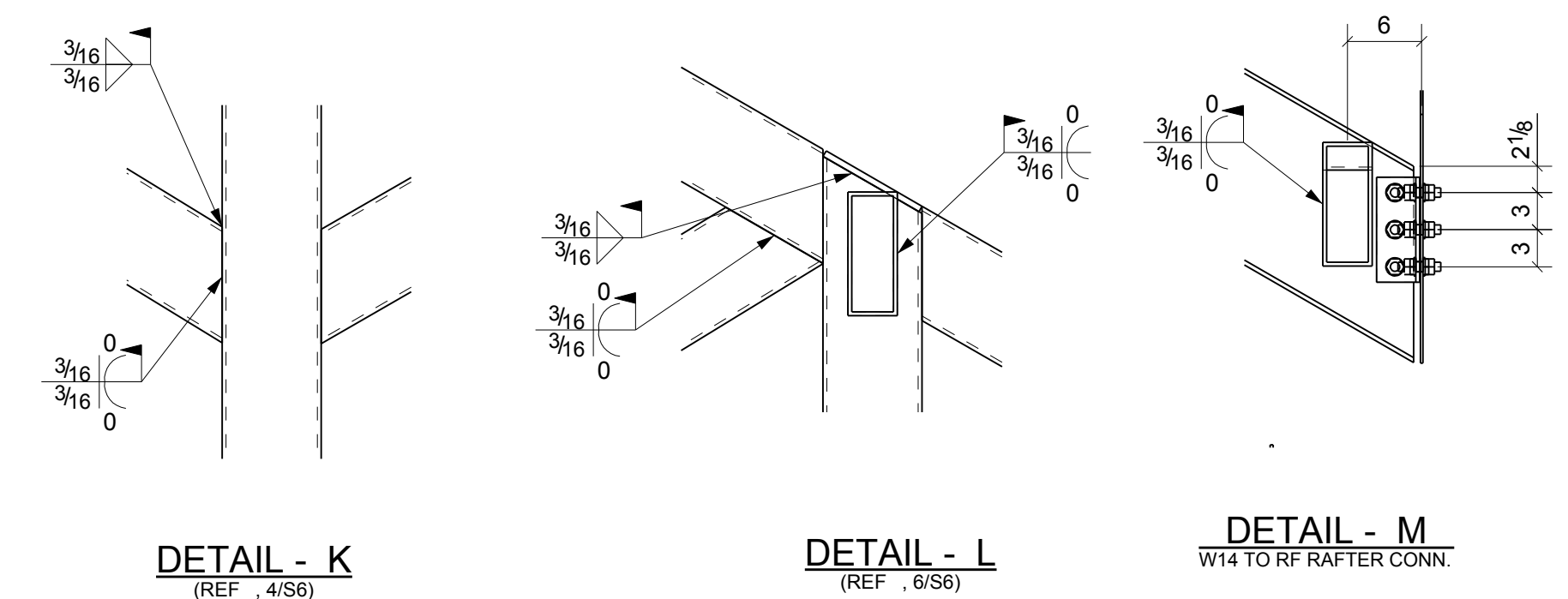
SECTION H-H
E8

REVISIONS			
NO.	DATE	DESCRIPTION	REV. BY
2	10/31/13	ISSUED FOR CONSTRUCTION	MS
1	9/18/13	ISSUED FOR APPROVAL	MS
A	8/2/13	PRELIMINARY - RFI REVIEW ONLY	MS

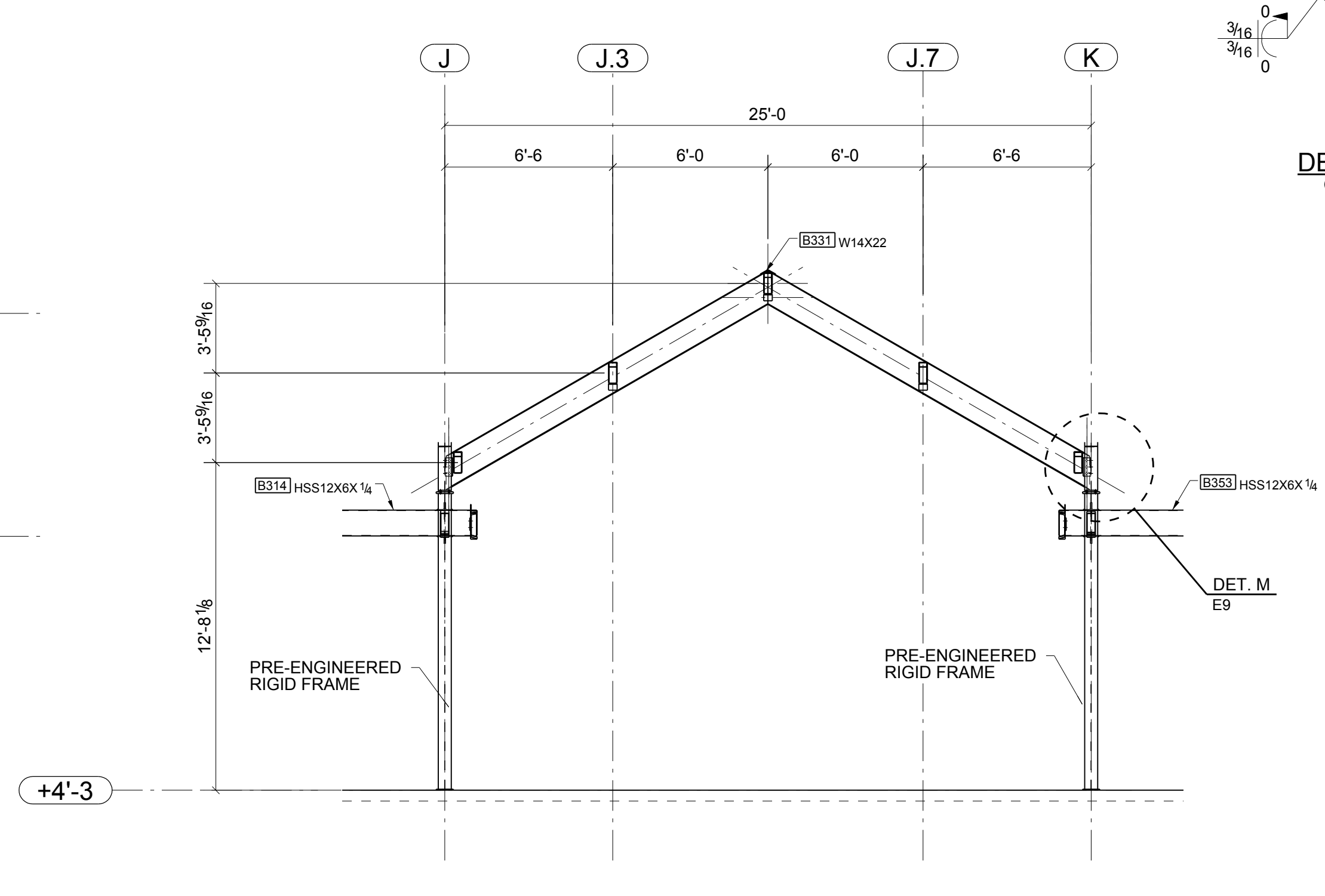
 DENNIS STEEL, INC. 1105 LEANDER DR- LEANDER TX 78641 PH 512 259-4001 / FAX 512 259-1070					
				PAINT	HOLES U.N.
PROJECT		TRAILS - 620 MEDICAL SHELL 3809 SOUTH 2ND STREET #D-200 WILSON PARKE MANAGEMENT, LLC		DATE	07/31/2013
DESCRIPTION		AREA 5 FRAMING		DRAWN BY	MWS
ARCH.	LM HOLDER III F.A.I.	ENG.	AUSTIN TX 78704	JOB NO.	5465
CUSTOMER	STRUCTURA INC.			SHT. NO.	E8



ELEVATION AT COLUMN LINE 16
AREA 9 - EAST



SECTION J-J
TOP VIEW OF TRUSS FRAMING

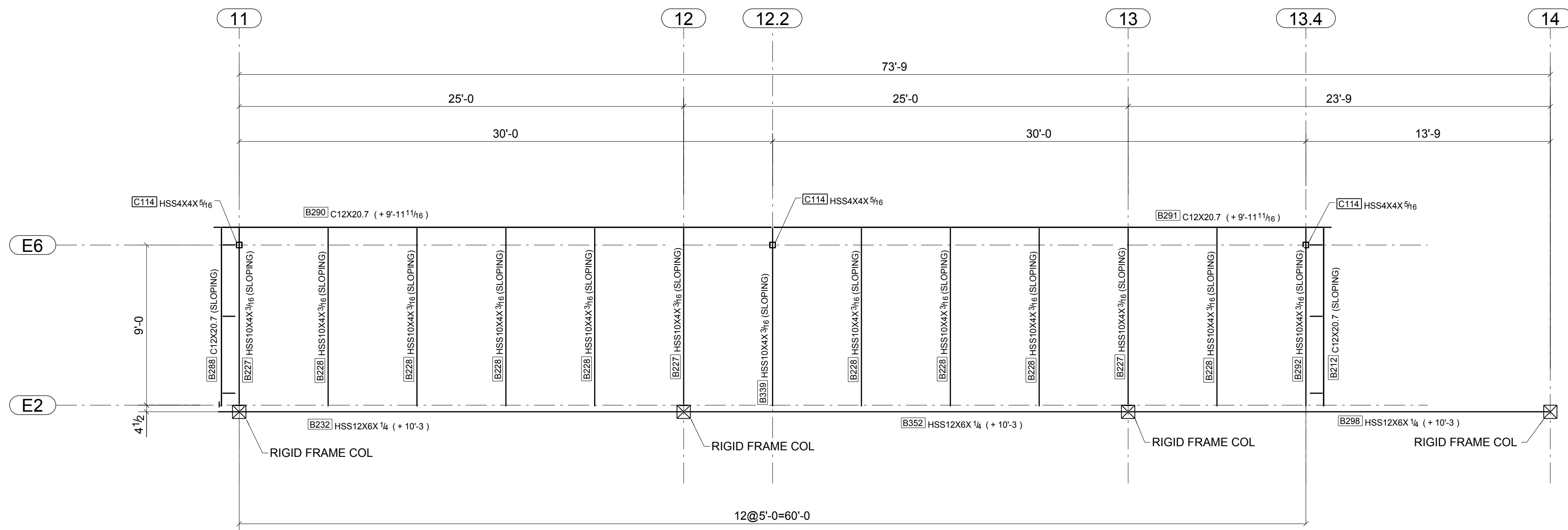


ELEVATION AT COLUMN LINE 15
AREA 9 - EAST

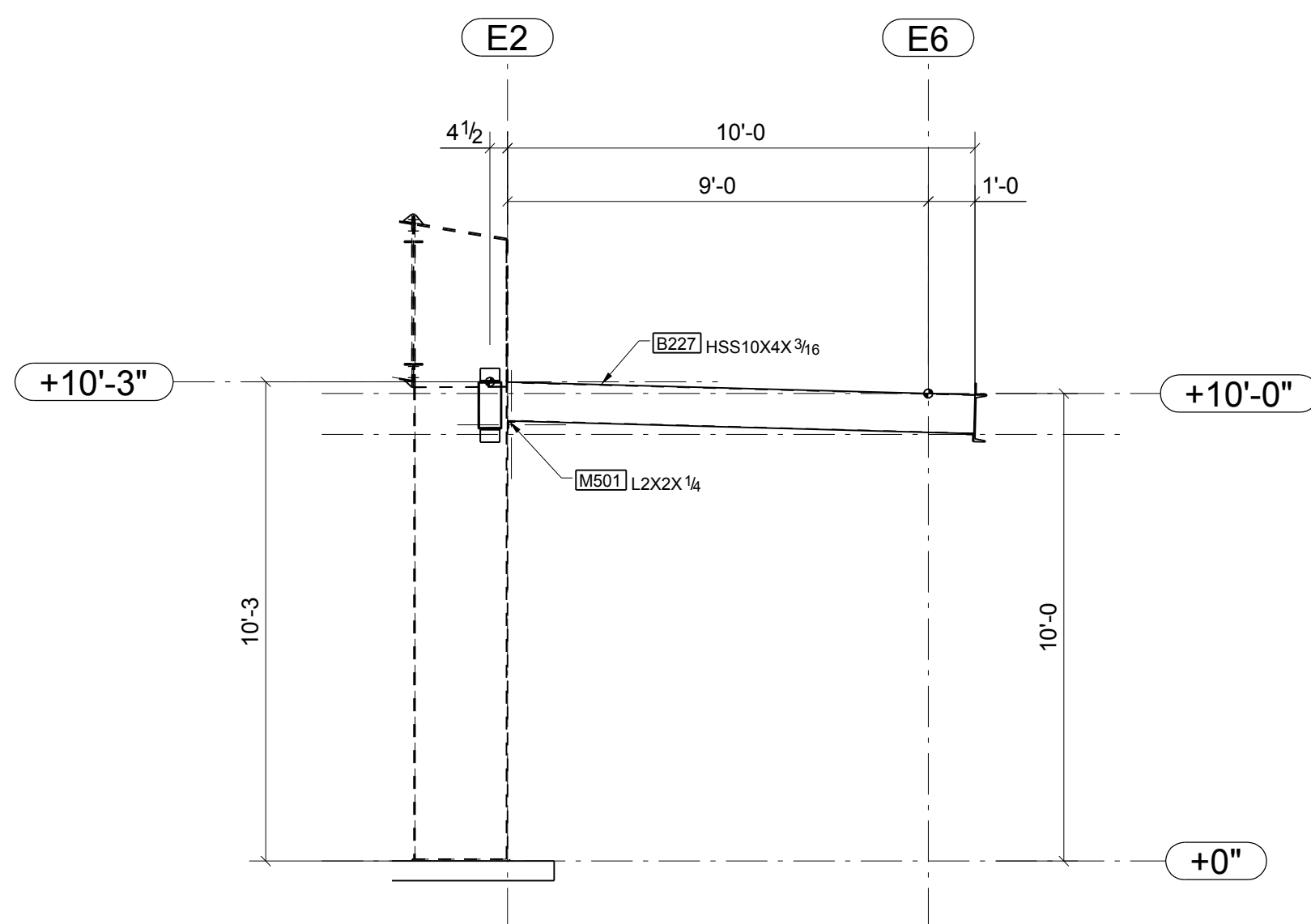
REVISIONS			
NO.	DATE	DESCRIPTION	REV. BY
2	10/31/13	ISSUED FOR CONSTRUCTION	MS
1	9/18/13	ISSUED FOR APPROVAL	MS
A	8/2/13	PRELIMINARY - RFI REVIEW ONLY	MS

DENNIS STEEL, INC.
 1105 LEANDER DR- LEANDER TX 78641
 PH 512 259-4001 / FAX 512 259-1070

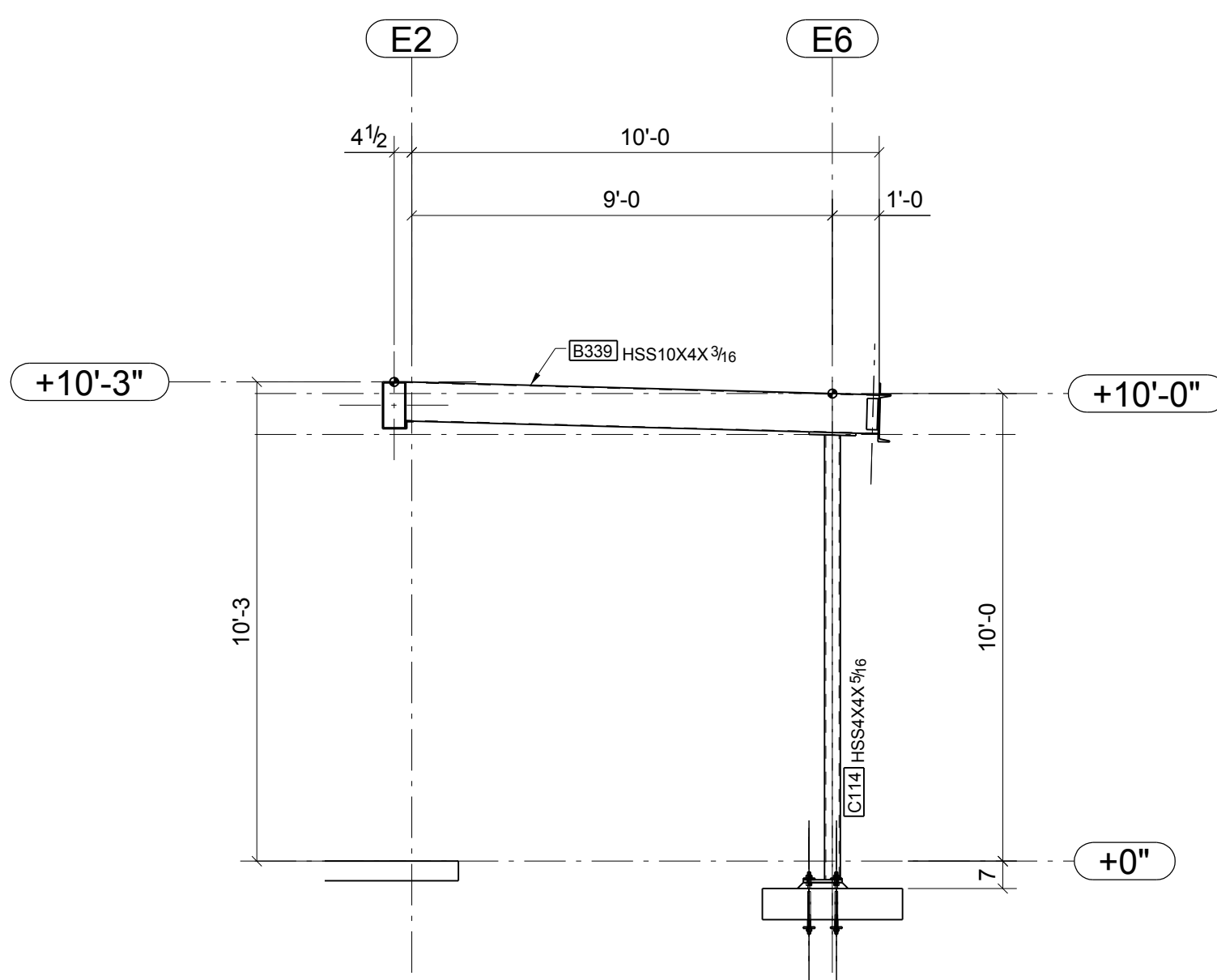
PAINT	HOLES U.N.	WELD U.N. E70XX	APPL	SHOP
PROJECT		TRAILS - 620 MEDICAL SHELL 3809 SOUTH 2ND STREET #D-200 WILSON PARKE MANAGEMENT, LLC		DATE 08/01/2013
DESCRIPTION		AREA 9 FRAMING		DRAWN BY MWS
ARCH.	LM HOLDER III F.A.I.	ENG.	AUSTIN TX 78704	JOB NO. 5465
CUSTOMER	STRUCTURA INC.			SHT. NO. E9



PLAN VIEW AT AREA 6
CANOPY FRAMING





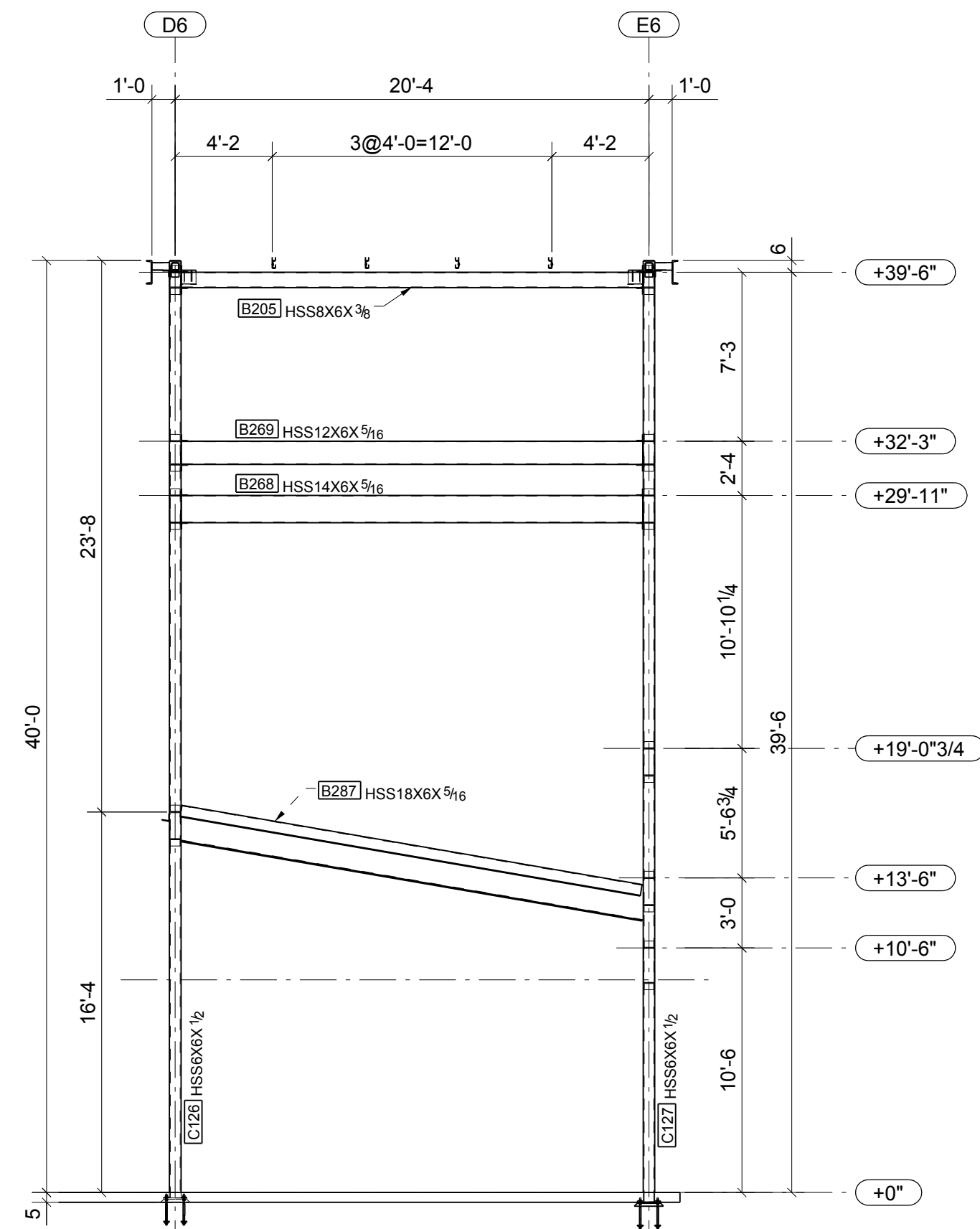
ELEVATION AT COLUMN LINE 12.13
TUBES @ 5'-0" O.C. SIMILAR



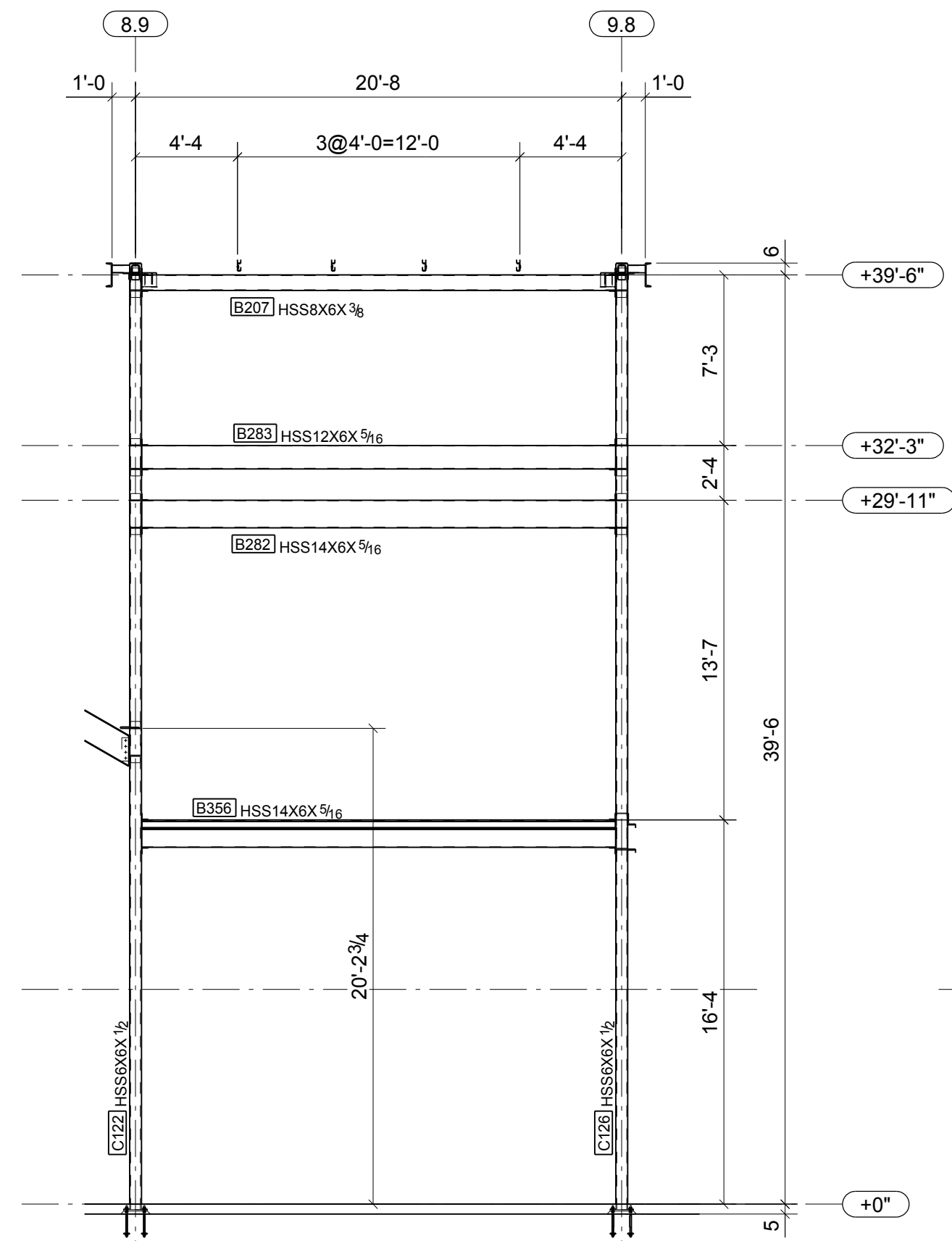
ELEVATION AT COLUMN LINE 12.2
COLUMN LINE 11 AND 13.4 SIMILAR

REVISIONS			
NO.	DATE	DESCRIPTION	REV. BY
2	10/31/13	ISSUED FOR CONSTRUCTION	MS
1	9/18/13	ISSUED FOR APPROVAL	MS
A	8/2/13	PRELIMINARY - RFI REVIEW ONLY	MS

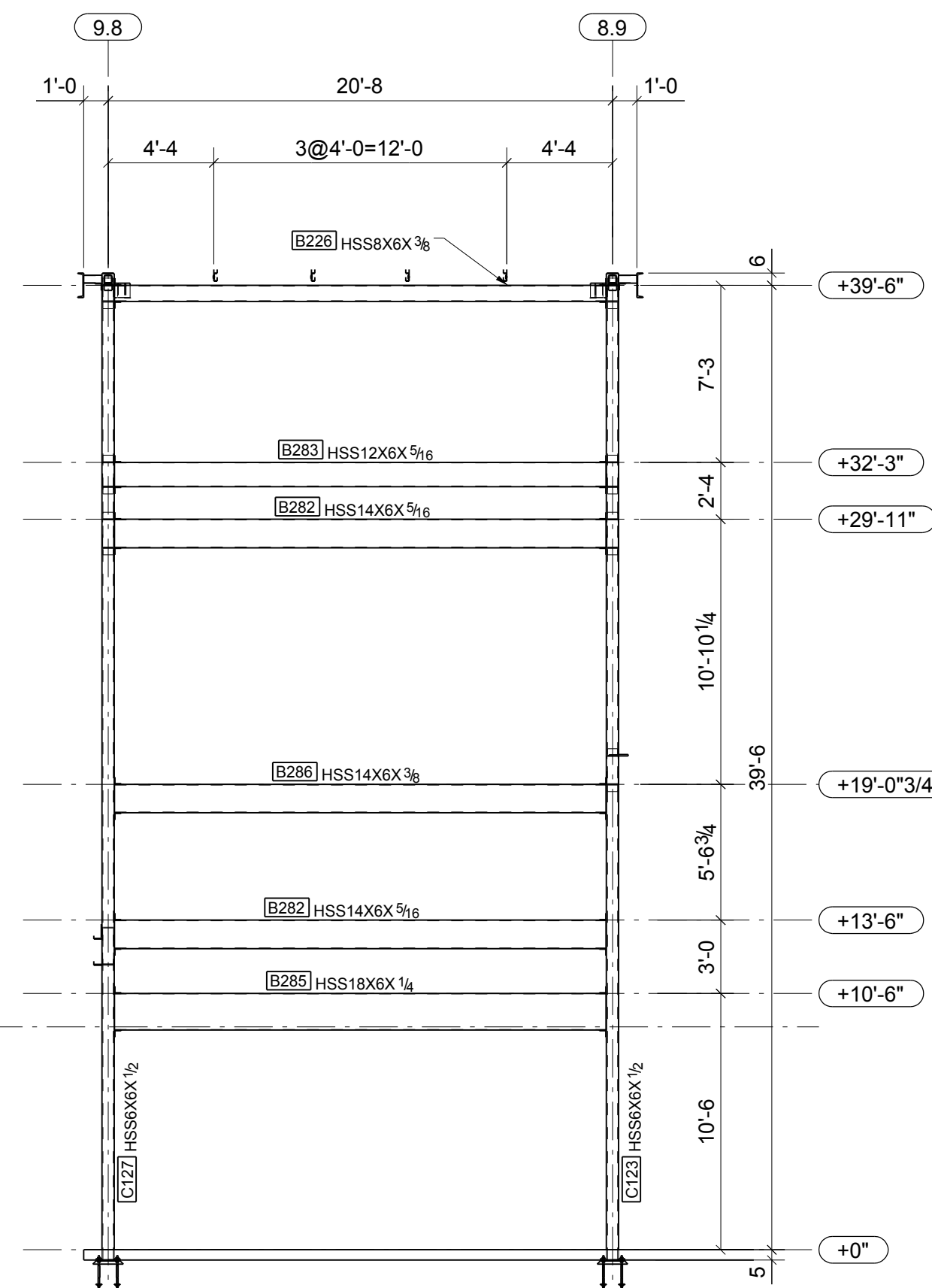
 DENNIS STEEL, INC. 1105 LEANDER DR- LEANDER TX 78641 PH 512 259-4001 / FAX 512 259-1070					
				PAINT	HOLES U.N.
PROJECT		TRAILS - 620 MEDICAL SHELL 3809 SOUTH 2ND STREET #D-200 WILSON PARKE MANAGEMENT, LLC		DATE	08/01/2013
DESCRIPTION		AREA 6 FRAMING		DRAWN BY	MWS
ARCH.	LM HOLDER III F.A.I.	ENG.	AUSTIN TX 78704	JOB NO.	5465
CUSTOMER	STRUCTURA INC.			SHT. NO.	E10



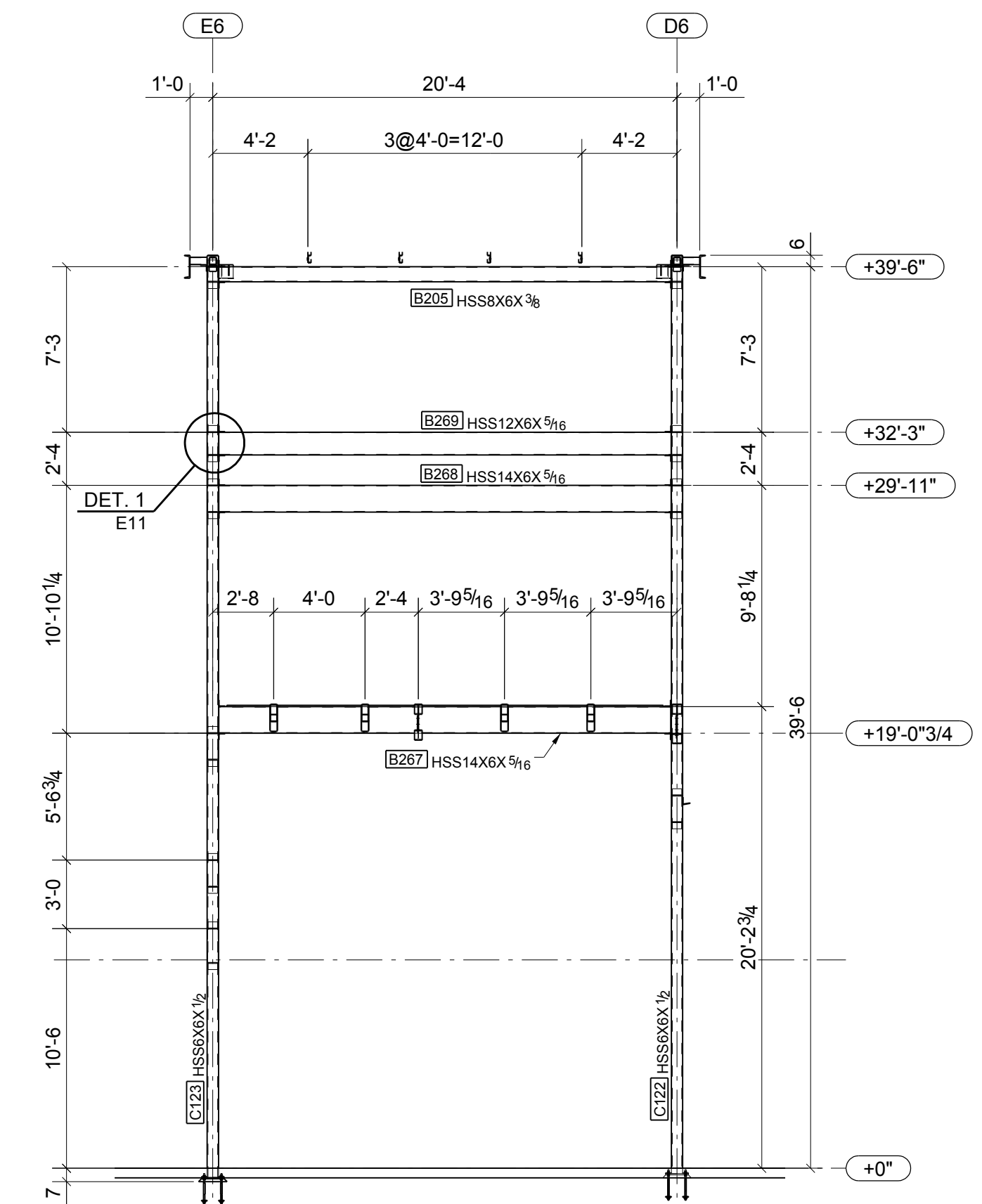
ELEVATION AT COLUMN LINE 9.8
AREA 2 EAST



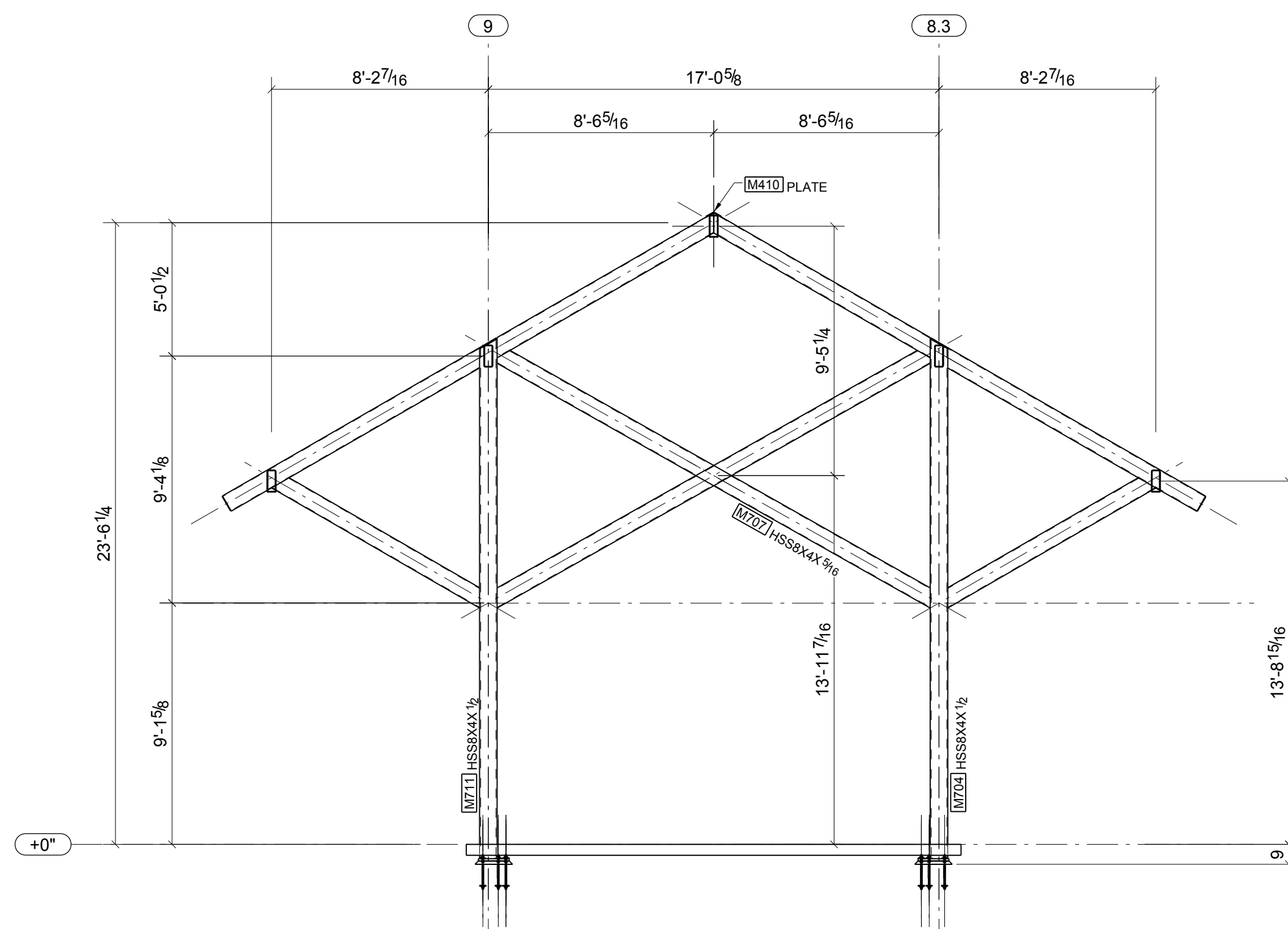
ELEVATION AT COLUMN LINE D6
AREA 2 SOUTH



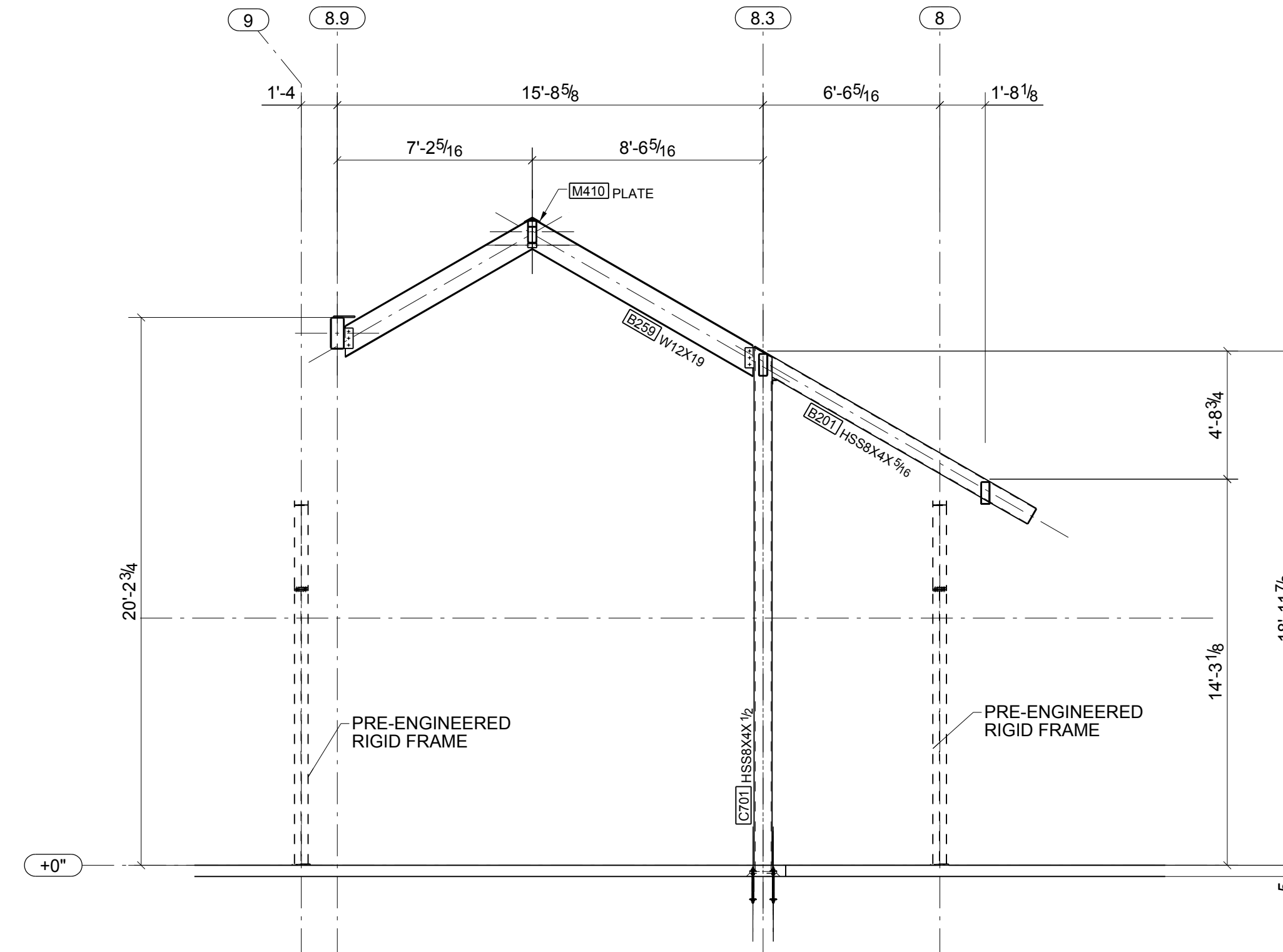
ELEVATION AT COLUMN LINE E6
AREA 2 NORTH



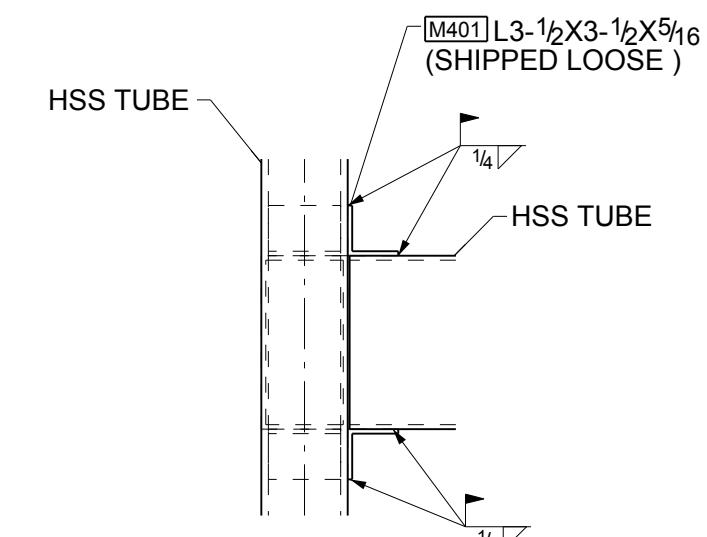
ELEVATION AT COLUMN LINE 8.9
AREA 2 WEST



ELEVATION AT COLUMN LINE E7, E9
AREA 2 NORTH



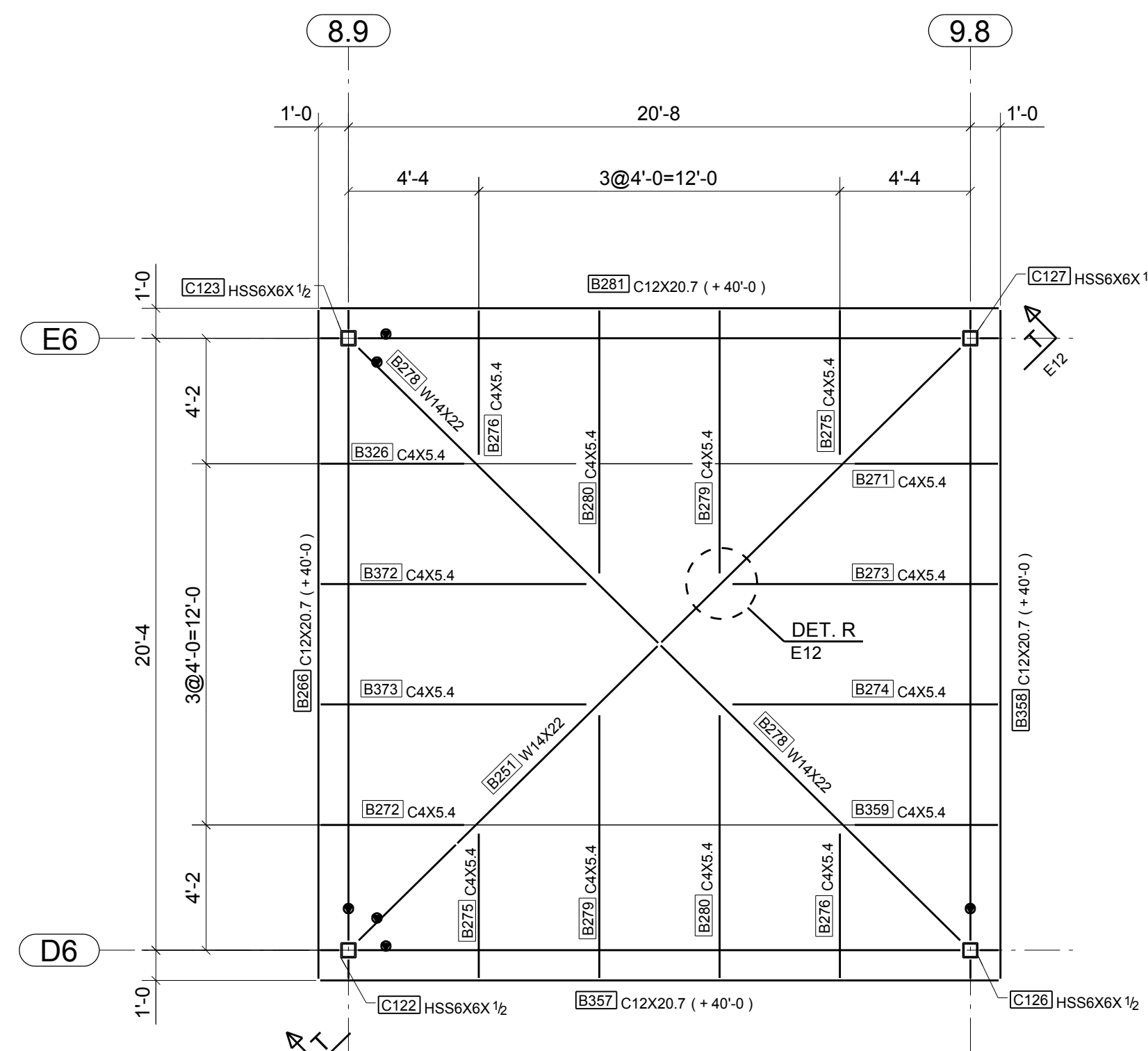
ELEVATION AT COLUMN LINE E2
AREA 2 NORTH



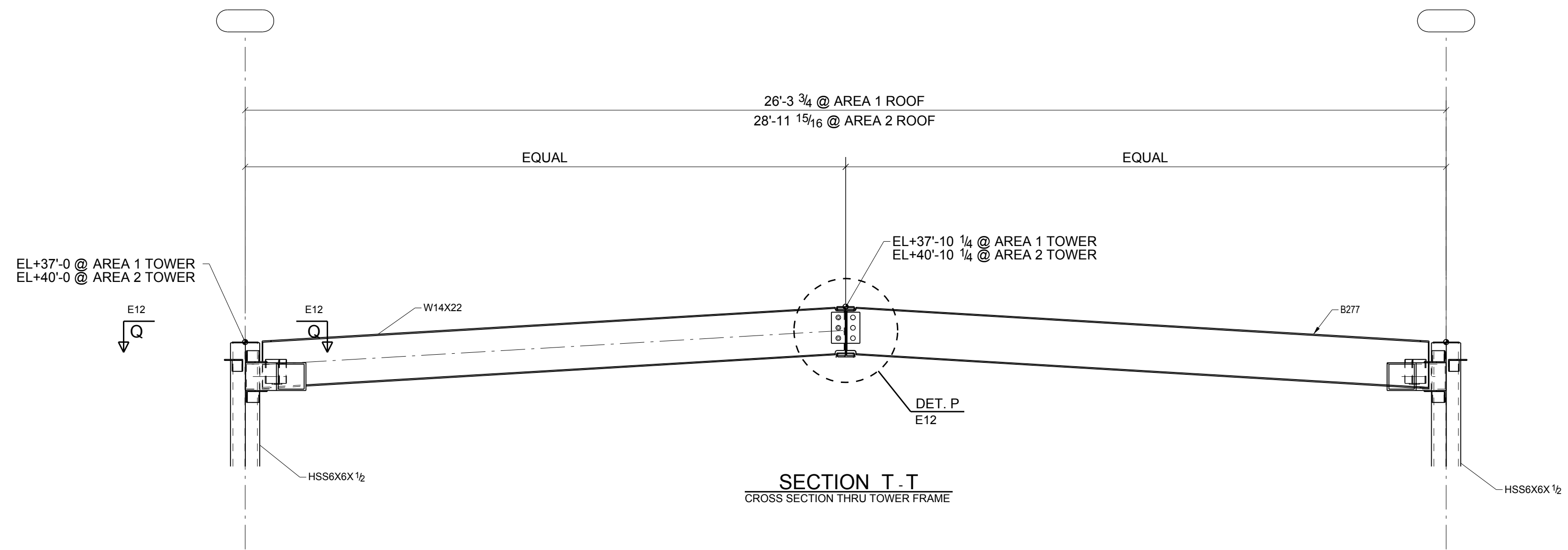
DETAIL - 1
E11 - TYP. TUBE CONNECTION

REVISIONS			
NO.	DATE	DESCRIPTION	REV. BY
2	10/31/13	ISSUED FOR CONSTRUCTION	MS
1	9/18/13	ISSUED FOR APPROVAL	MS
A	8/2/13	PRELIMINARY - RFI REVIEW ONLY	MS

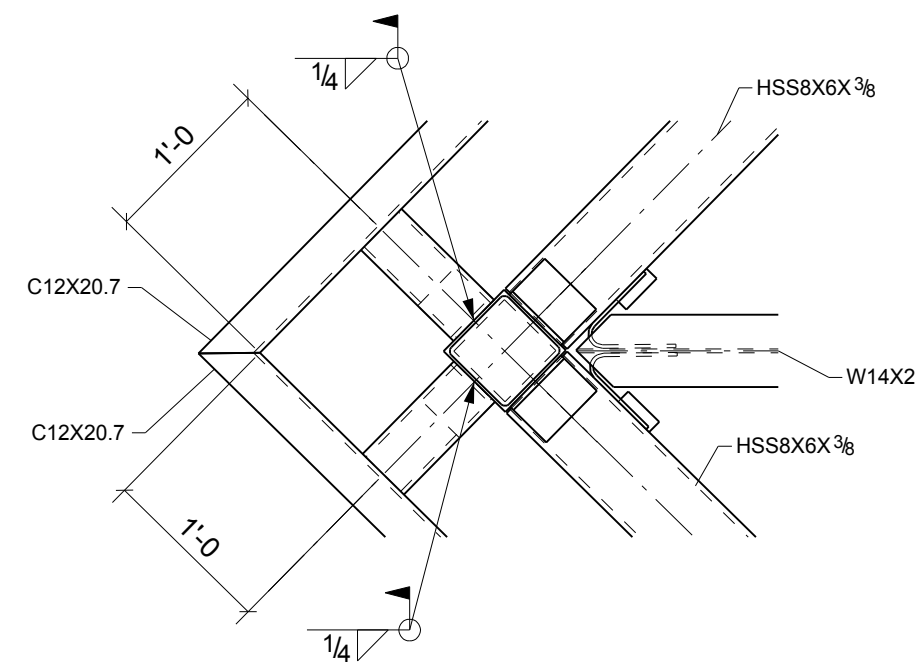
DENNIS STEEL, INC. 1105 LEANDER DR - LEANDER TX 78641 PH 512 259-4001 / FAX 512 259-1070				
PAINT	HOLES U.N.	WELD U.N.	APPL	SHOP
PROJECT		TRAILS - 620 MEDICAL SHELL 3809 SOUTH 2ND STREET #D-200 WILSON PARKE MANAGEMENT, LLC		
DESCRIPTION		AREA 2 TOWER		
ARCH.	ENG.	JOB NO.	DATE	
LM HOLDER III F.A.I.	AUSTIN TX 78704	5465	08/01/2013	
CUSTOMER	STRUCTURA INC.	SHT. NO.	DRAWN BY	
		E11	MWS	



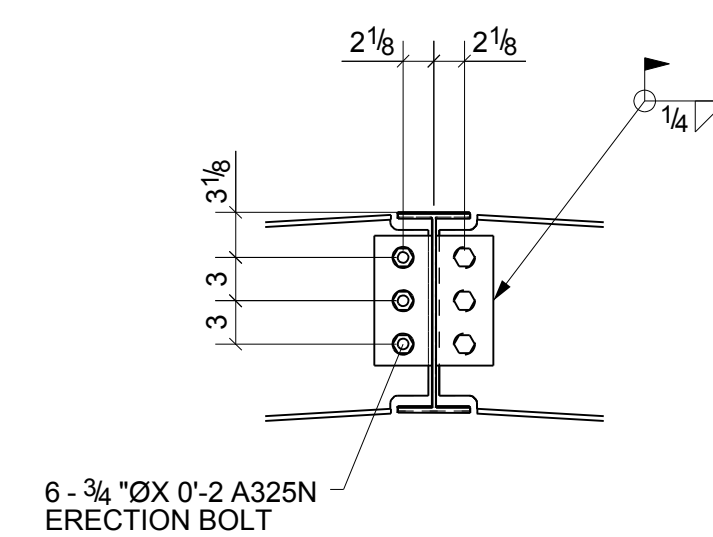
PLAN VIEW AT AREA 2 TOWER
ROOF FRAMING



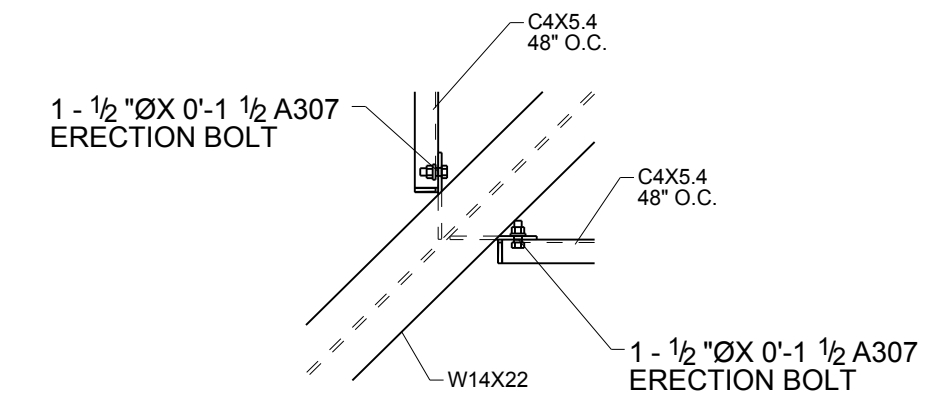
SECTION T-T
CROSS SECTION THRU TOWER FRAME



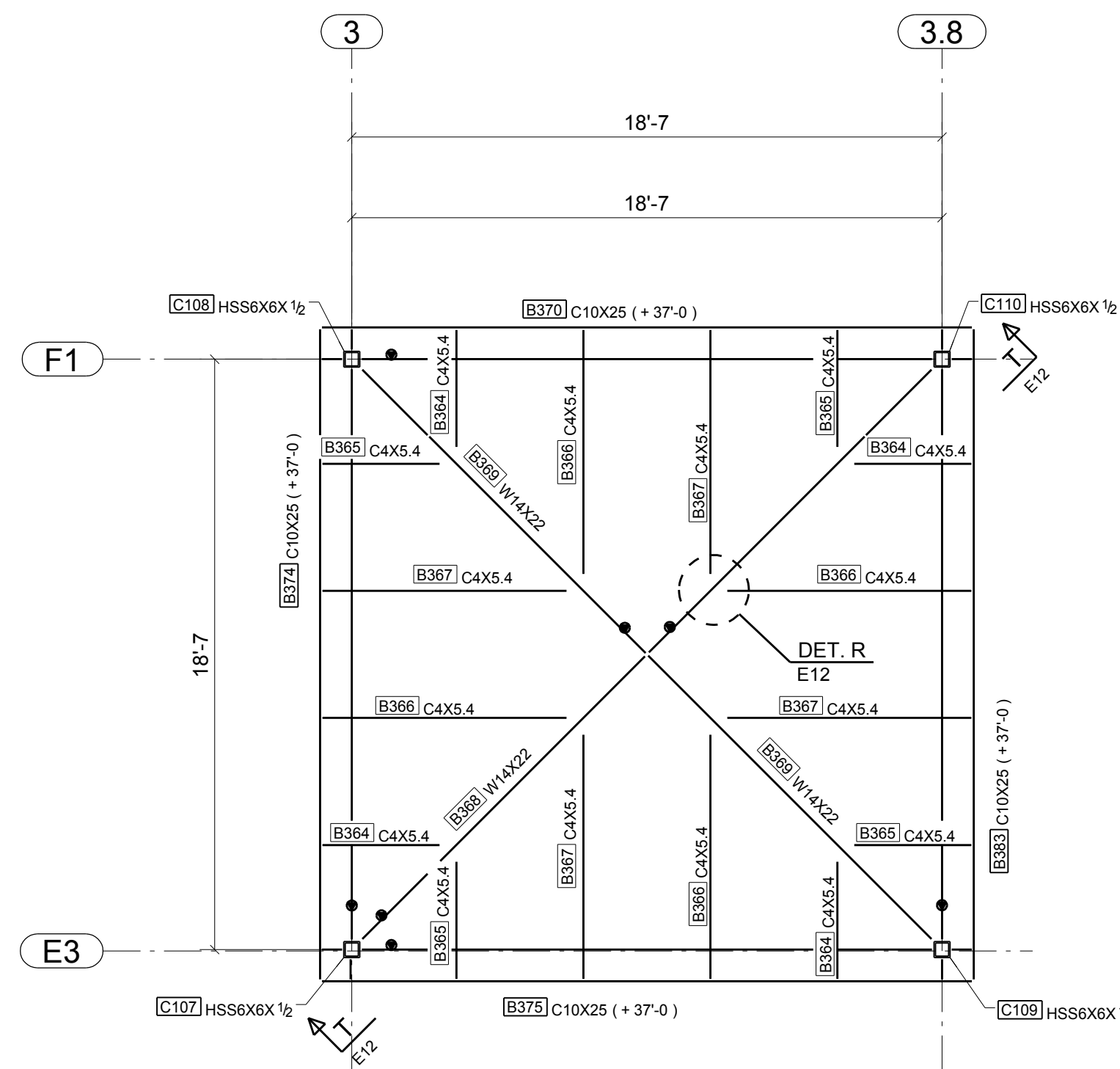
SECTION Q-Q
TYP. CORNER FRAMING DETAIL



DETAIL - P
PEAK FRAME CONNECTION



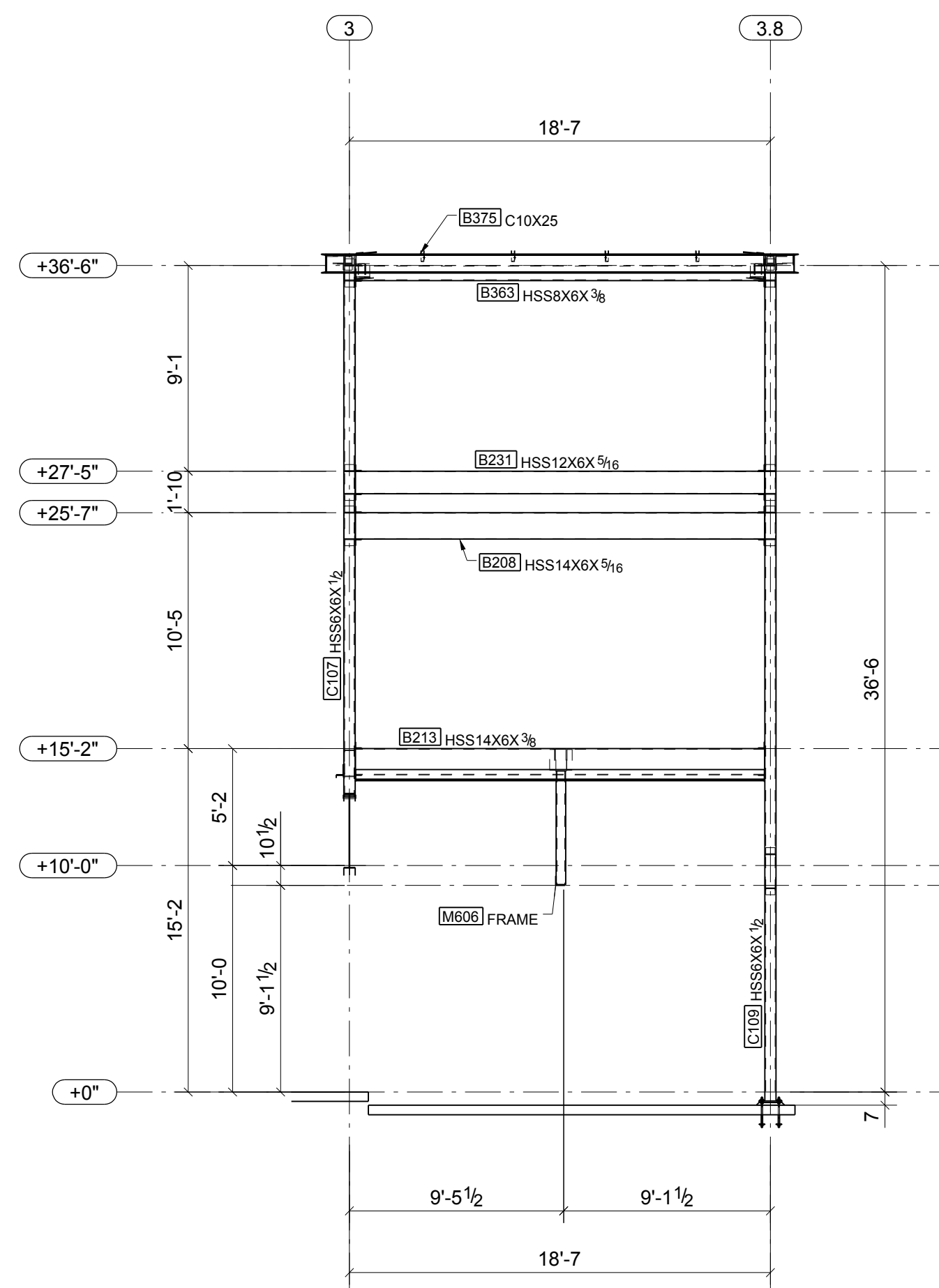
DETAIL - R
HIP ROOF CHANNEL CONN.



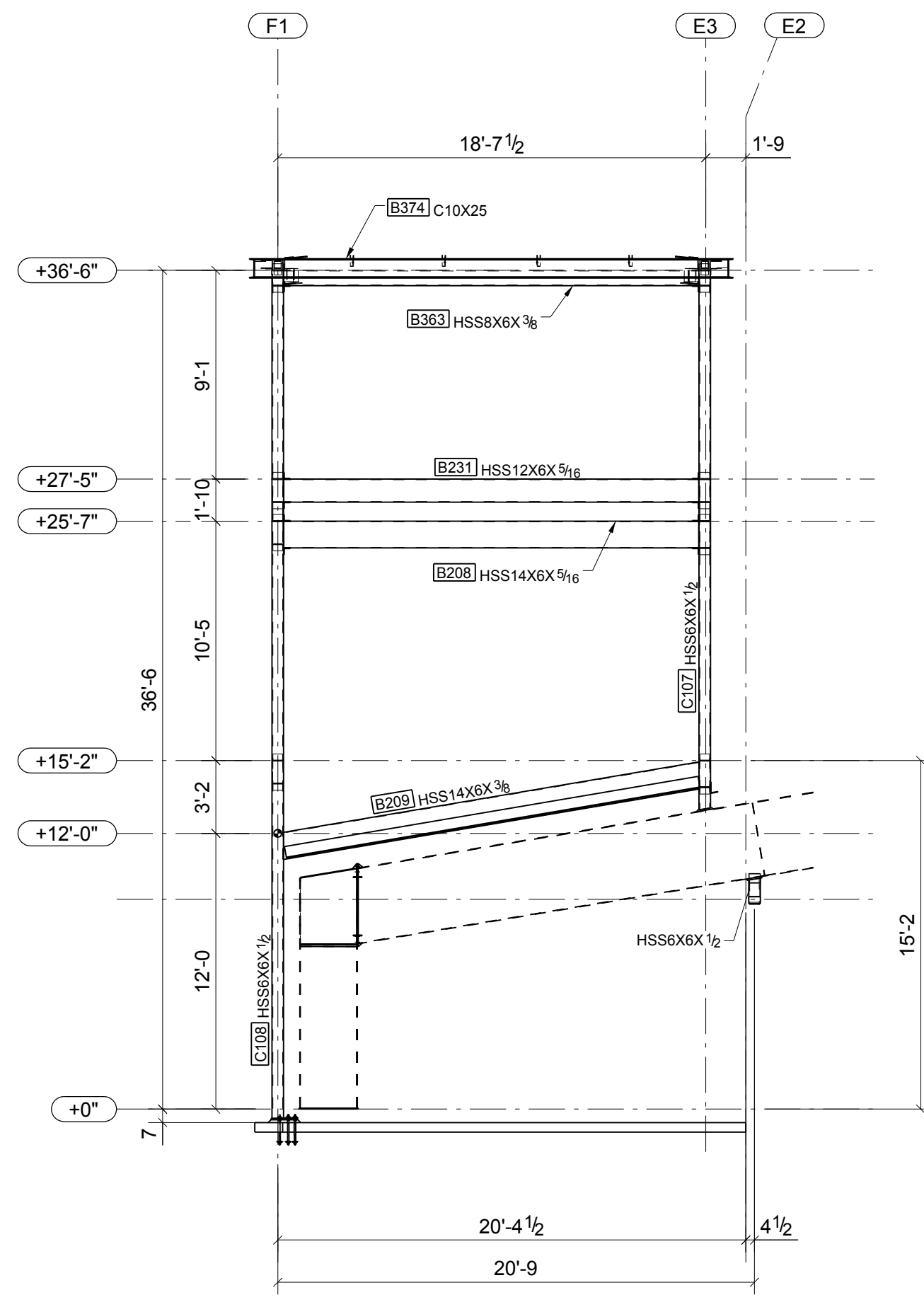
PLAN VIEW AT AREA 1 TOWER
ROOF FRAMING

REVISIONS			
NO.	DATE	DESCRIPTION	REV. BY
2	10/31/13	ISSUED FOR CONSTRUCTION	MS
1	9/18/13	ISSUED FOR APPROVAL	MS
A	8/2/13	PRELIMINARY - RFI REVIEW ONLY	MS

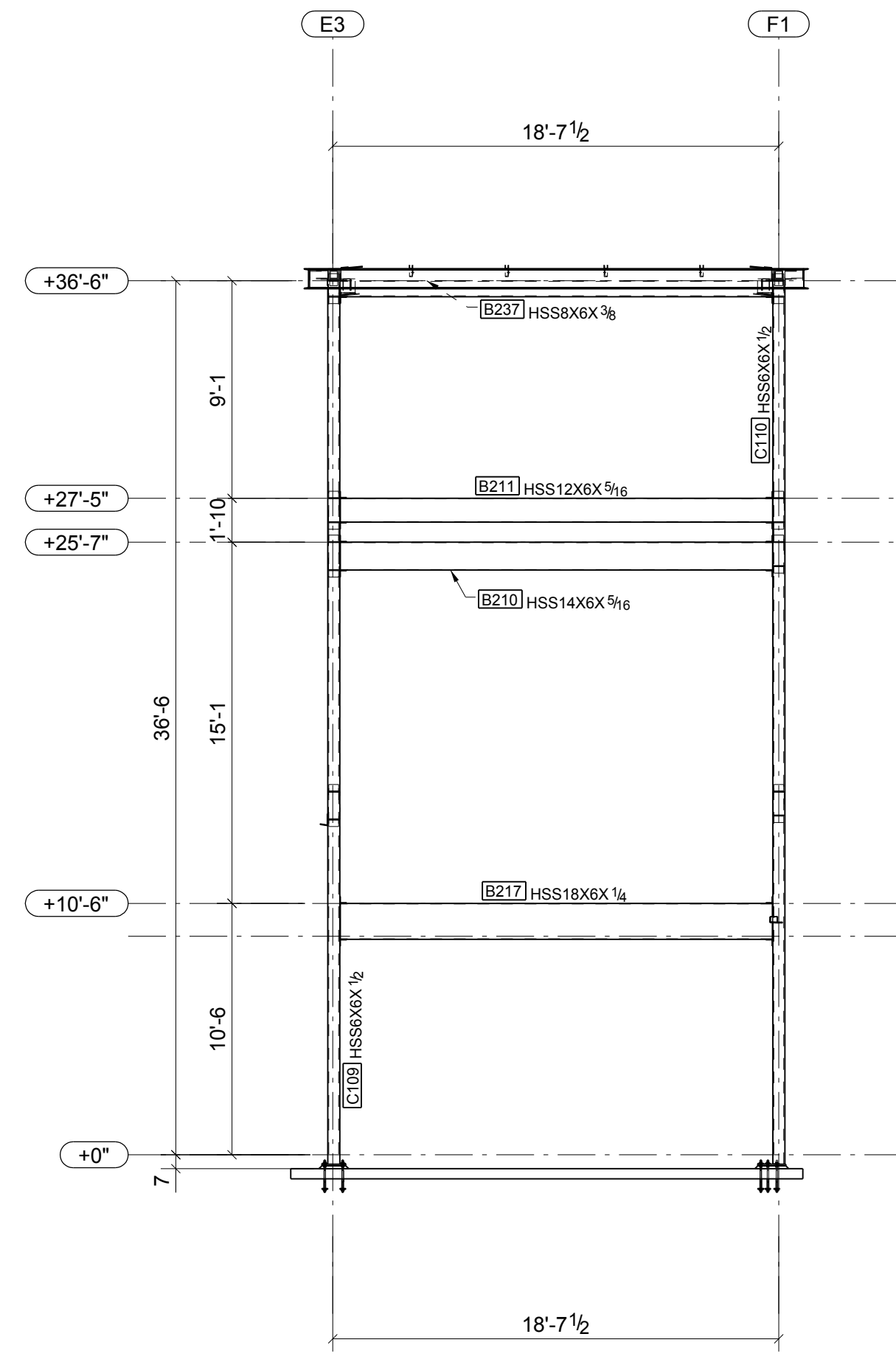
		DENNIS STEEL, INC. 1105 LEANDER DR- LEANDER TX 78641 PH 512 259-4001 / FAX 512 259-1070			
					PAINT
PROJECT		TRAILS - 620 MEDICAL SHELL 3809 SOUTH 2ND STREET #D-200 WILSON PARKE MANAGEMENT, LLC		DATE	08/01/2013
DESCRIPTION		TOWER ROOF - AREA 1 - 2		DRAWN BY	MWS
ARCH.	LM HOLDER III F.A.I.	ENG.	AUSTIN TX 78704	JOB NO.	5465
CUSTOMER	STRUCTURA INC.			SHT. NO.	E12



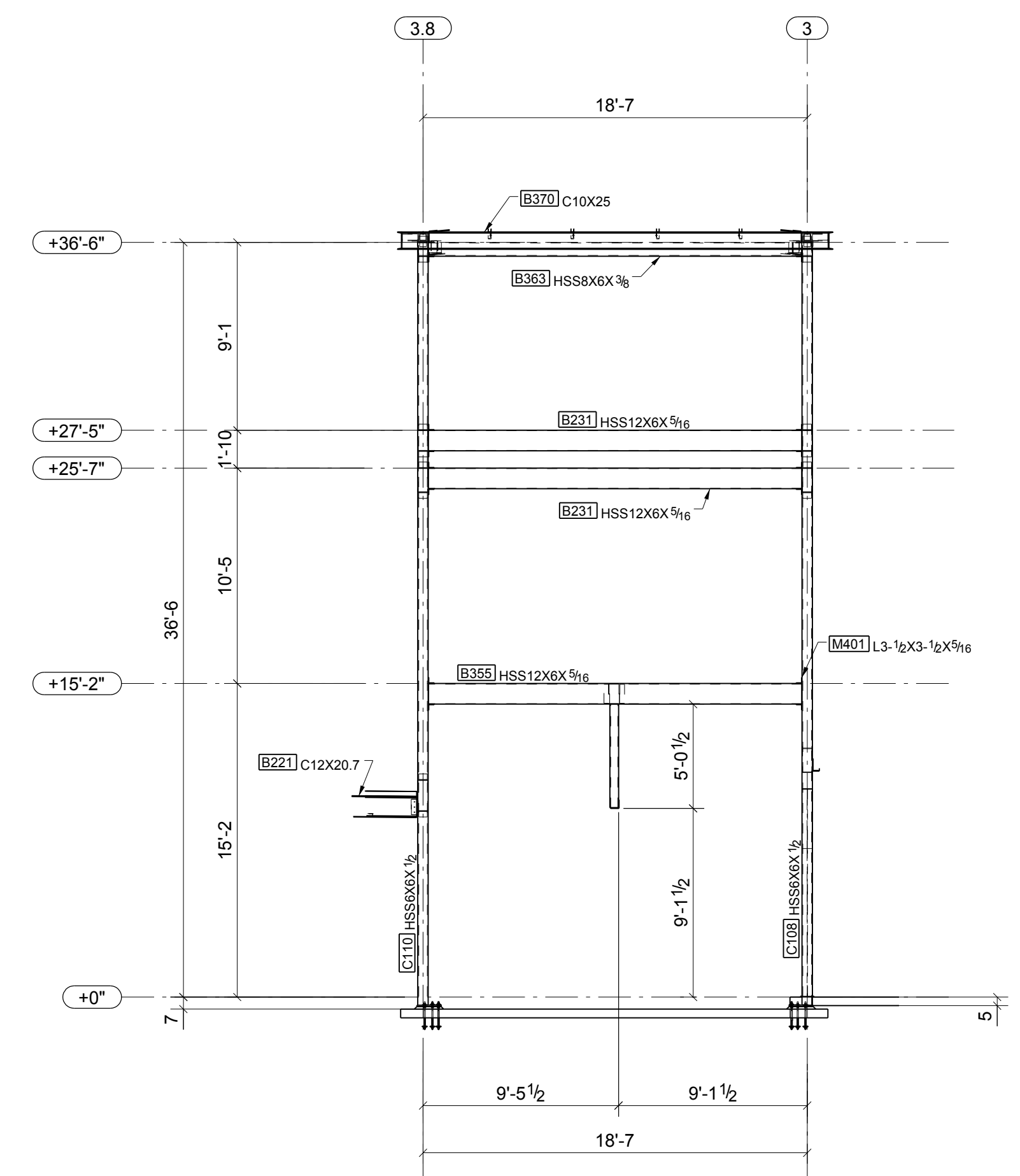
ELEVATION AT COLUMN LINE E3
AREA 1 - SOUTH



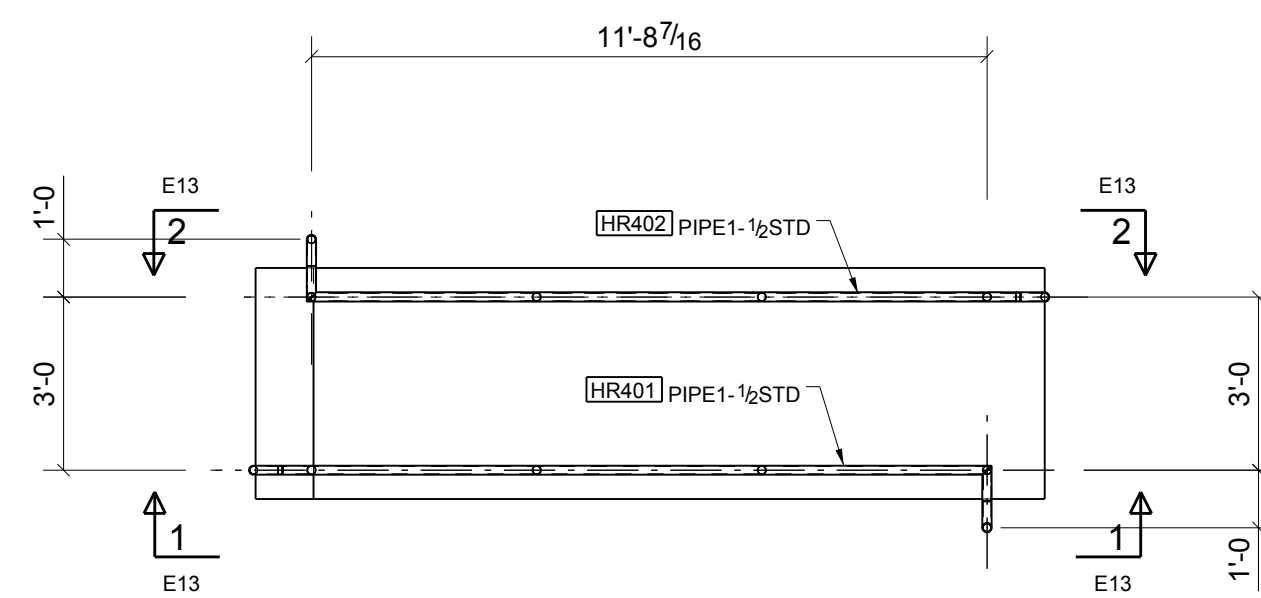
ELEVATION AT COLUMN LINE 3
AREA 1 - WEST



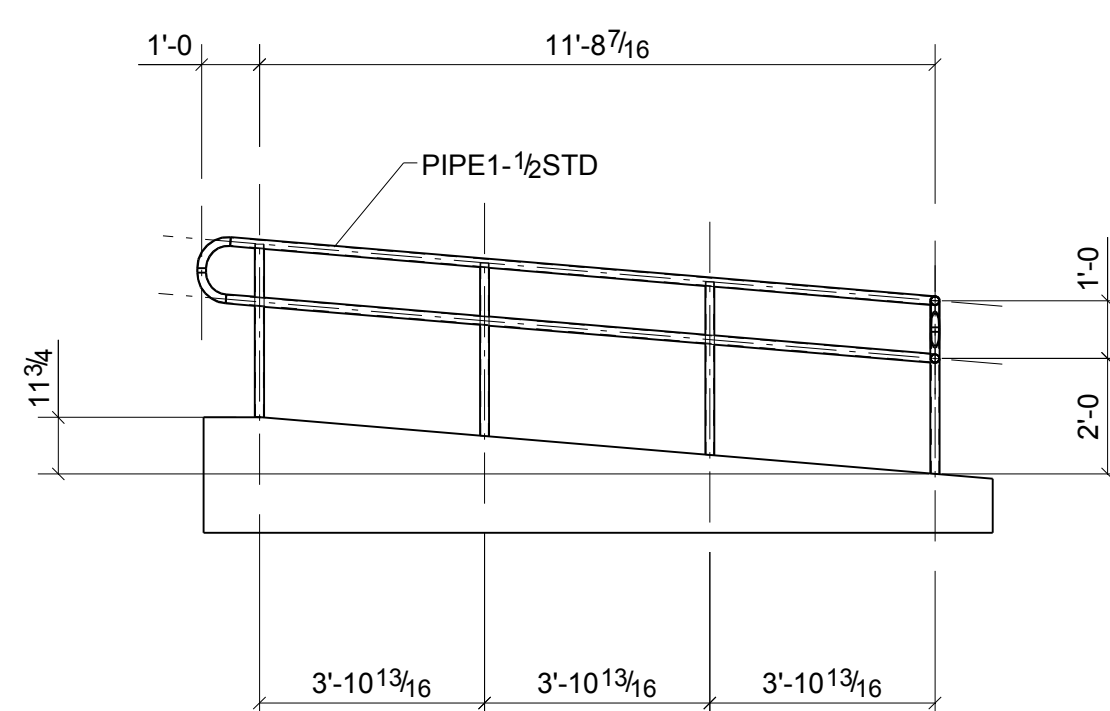
ELEVATION AT COLUMN LINE 3.8
AREA 1 - EAST



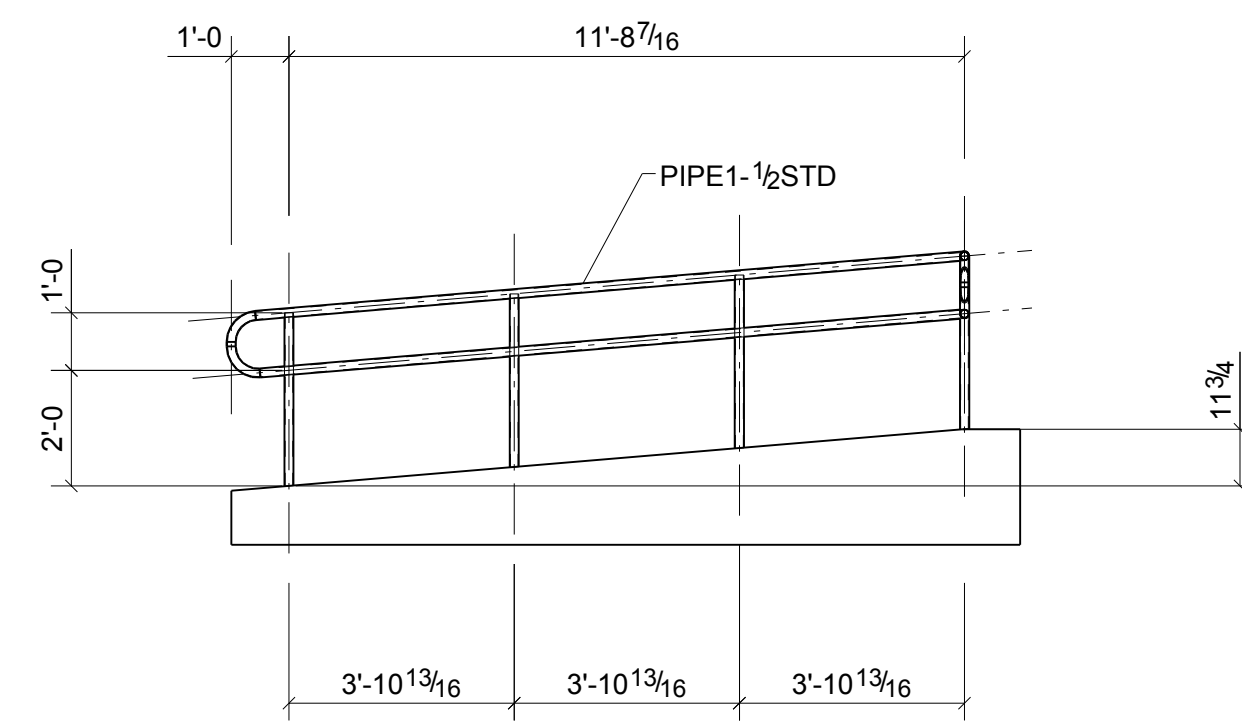
ELEVATION AT COLUMN LINE F1
AREA 1 - NORTH



PLAN VIEW AT RAMP HAND RAILS



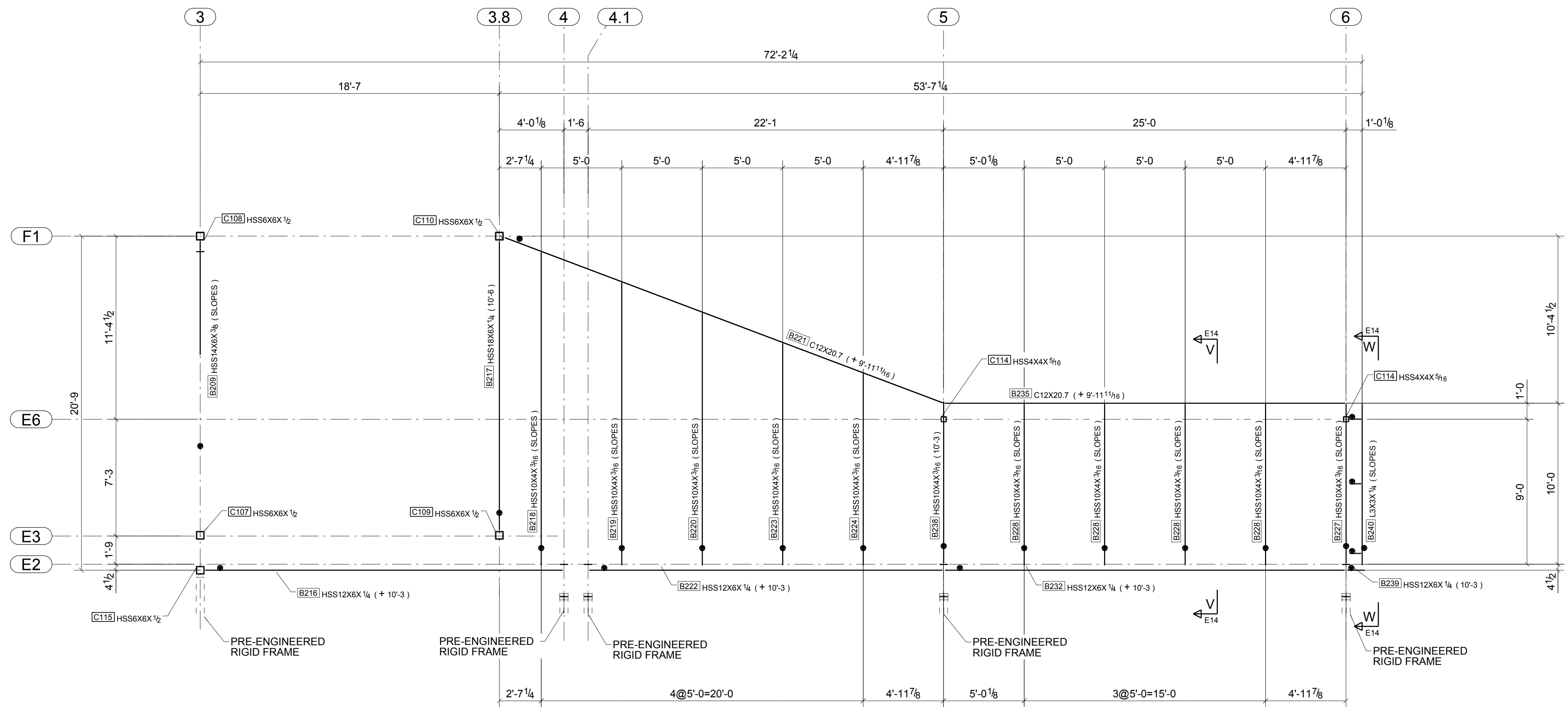
1 - ELEVATION AT RAMP HAND RAILS



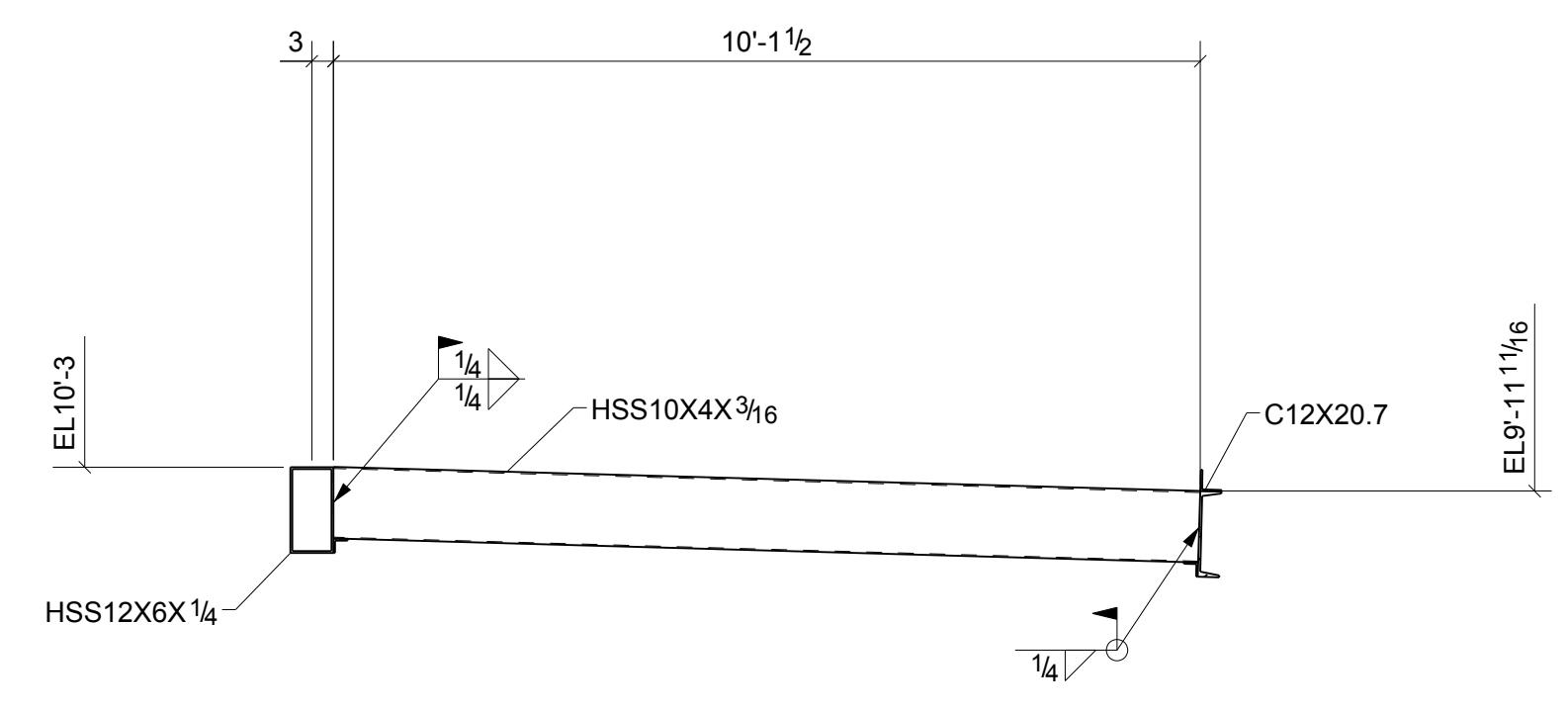
2 - ELEVATION AT RAMP HAND RAILS

REVISIONS			
NO.	DATE	DESCRIPTION	REV. BY
2	10/31/13	ISSUED FOR CONSTRUCTION	MS
1	9/18/13	ISSUED FOR APPROVAL	MS
A	8/2/13	PRELIMINARY - RFI REVIEW ONLY	MS

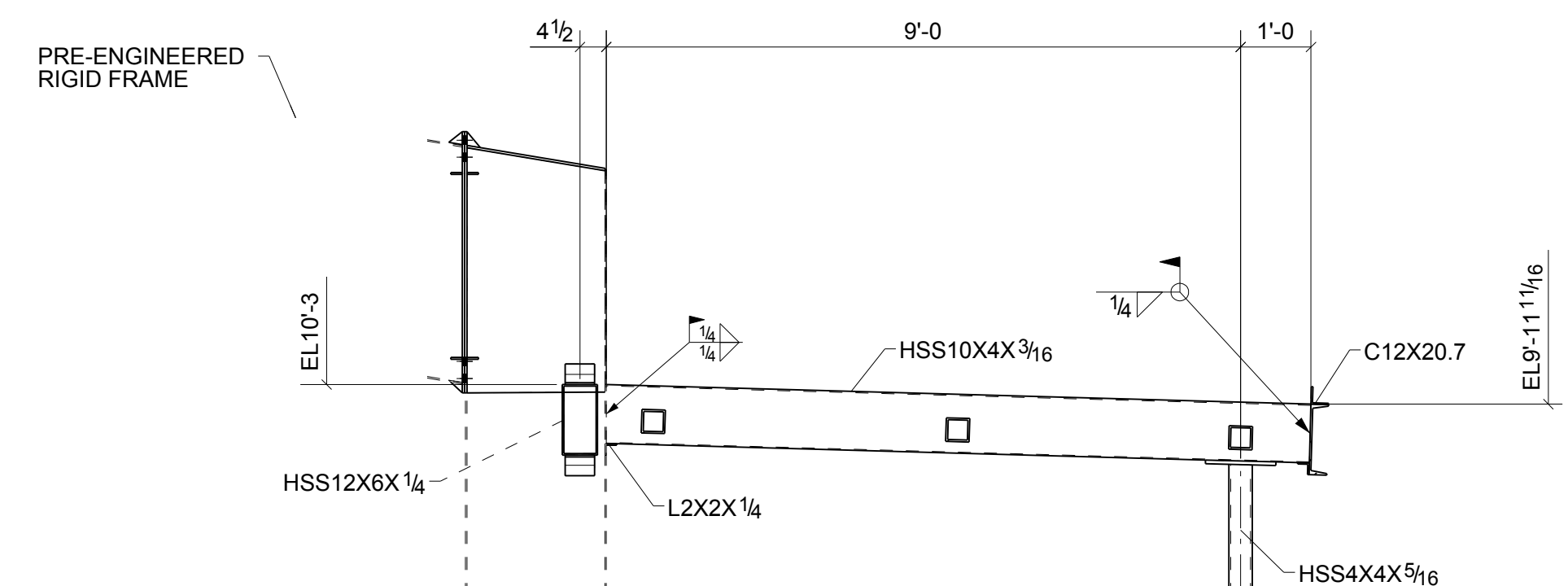
		DENNIS STEEL, INC. 1105 LEANDER DR - LEANDER TX 78641 PH 512 259-4001 / FAX 512 259-1070			
		PAINT	HOLES U.N.		WELD U.N.
PROJECT		TRAILS - 620 MEDICAL SHELL 3809 SOUTH 2ND STREET #D-200 WILSON PARKE MANAGEMENT, LLC		DATE	08/01/2013
DESCRIPTION		AREA 1 TOWER		DRAWN BY	MWS
ARCH.	LM HOLDER III F.A.I.	ENG.	AUSTIN TX 78704	JOB NO.	5465
CUSTOMER	STRUCTURA INC.			SHT. NO.	E13



PLAN VIEW AT AREA 1
CANOPY FRAMING



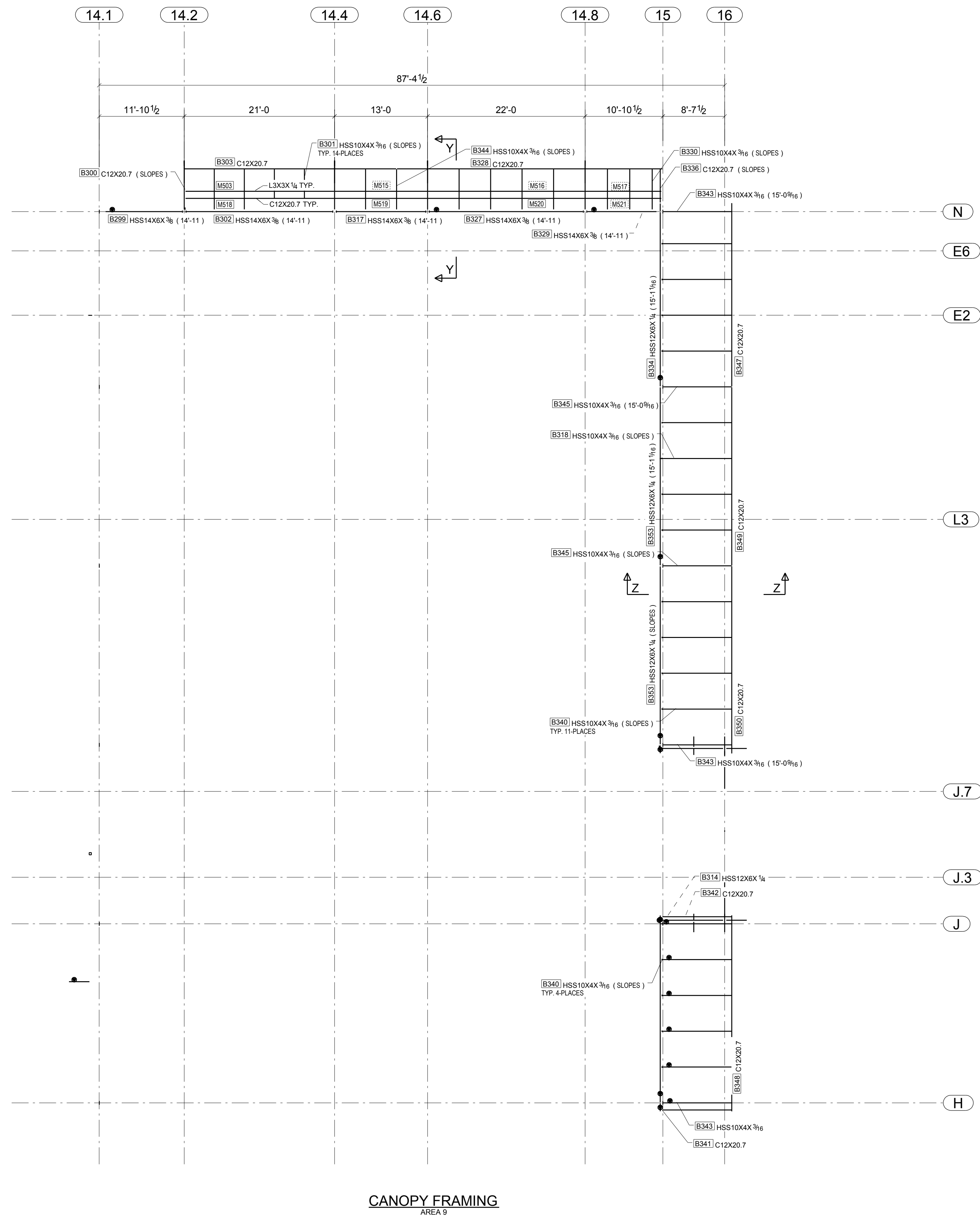
SECTION V-V
HSS10 TUBES @ 5'-0" O.C.



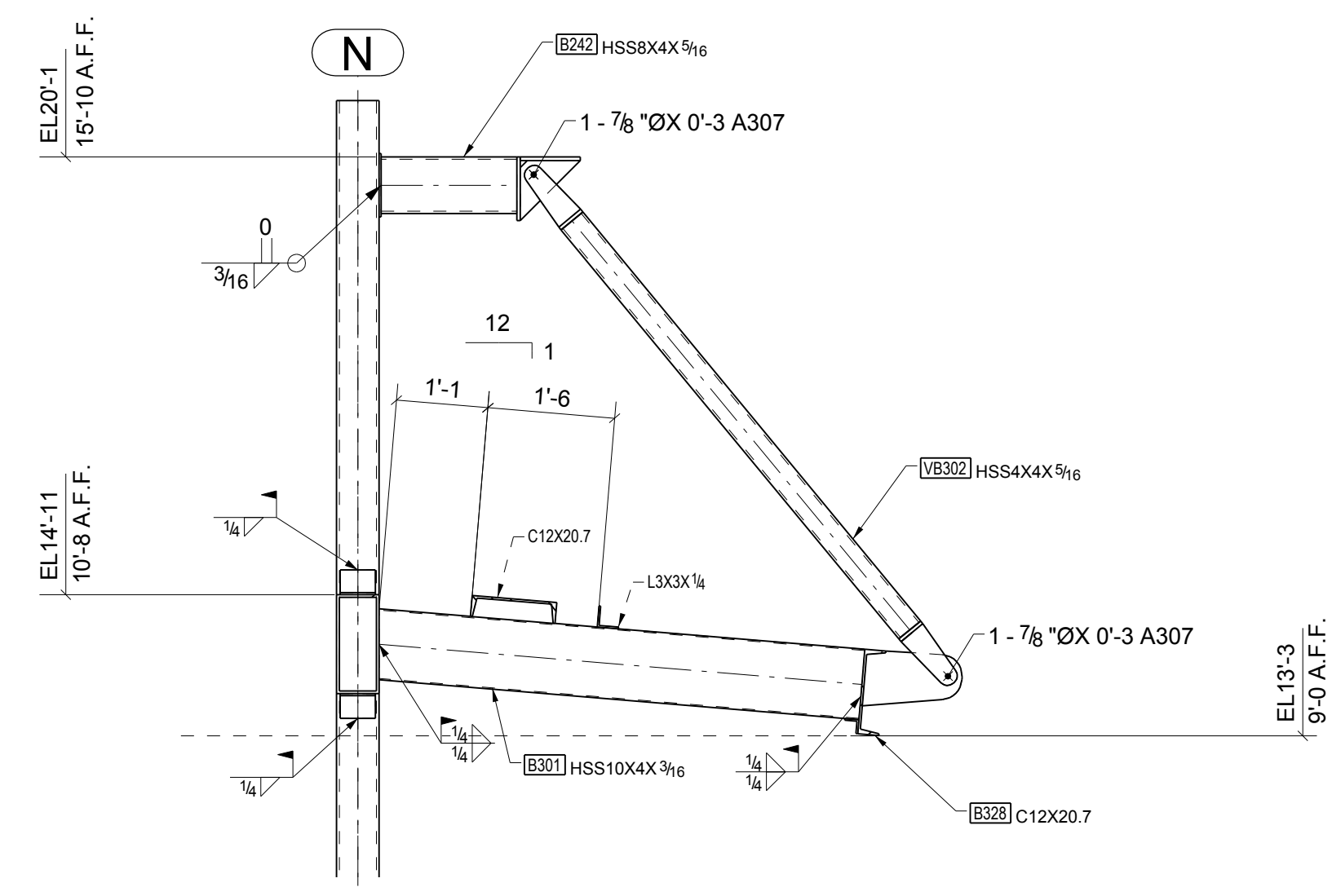
SECTION W-W

REVISIONS			
NO.	DATE	DESCRIPTION	REV. BY
2	10/31/13	ISSUED FOR CONSTRUCTION	MS
1	9/18/13	ISSUED FOR APPROVAL	MS
A	8/2/13	PRELIMINARY - RFI REVIEW ONLY	MS

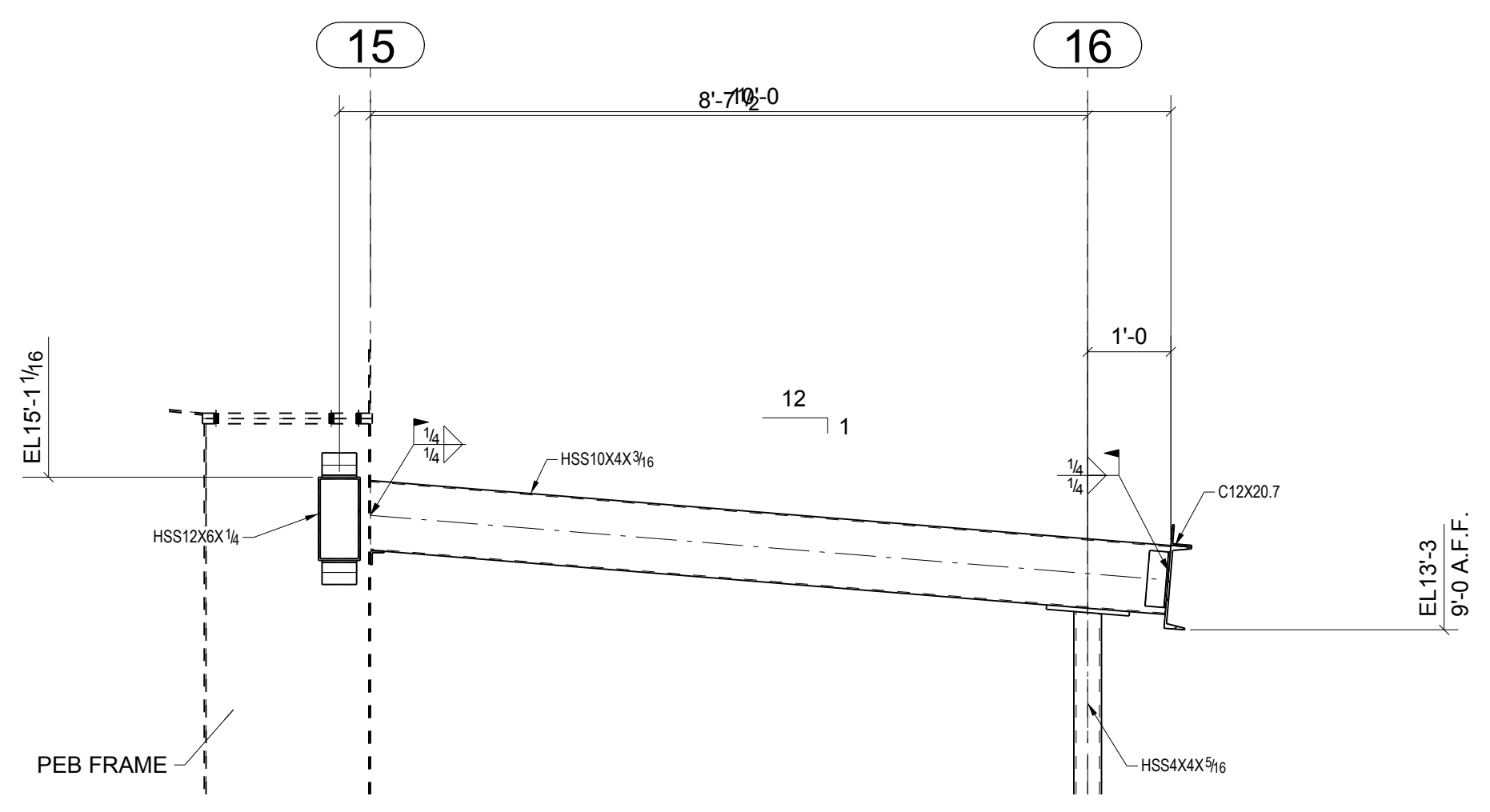
<p>DENNIS STEEL, INC. 1105 LEANDER DR- LEANDER TX 78641 PH 512 259-4001 / FAX 512 259-1070</p>		
PROJECT TRAILS - 620 MEDICAL SHELL 3809 SOUTH 2ND STREET #D-200 WILSON PARKE MANAGEMENT, LLC		DATE 08/02/2013 DRAWN BY MWS
DESCRIPTION AREA 1 CANOPY FRAMING		CHKD BY
ARCH. LM HOLDER III F.A.I.	ENG. AUSTIN TX 78704	JOB NO. 5465 SHT. NO. E14
CUSTOMER STRUCTURA INC.		



CANOPY FRAMING
AREA 9



SECTION Y - Y



SECTION Z - Z

REVISIONS			
NO.	DATE	DESCRIPTION	REV. BY
2	10/31/13	ISSUED FOR CONSTRUCTION	MS
1	9/18/13	ISSUED FOR APPROVAL	MS

		DENNIS STEEL, INC. 1105 LEANDER DR- LEANDER TX 78641 PH 512 259-4001 / FAX 512 259-1070	
PAINT	HOLES U.N.	WELD U.N.	APPL SHOP
		E70XX	
PROJECT TRAILS - 620 MEDICAL SHELL 3809 SOUTH 2ND STREET #D-200 WILSON PARKE MANAGEMENT, LLC		DATE 09/18/2013 DRAWN BY MWS	
DESCRIPTION AREA 9 - CANOPY FRAMING		CHK'D BY	
ARCH.	ENG.	JOB NO.	
LM HOLDER III F.A.I.	AUSTIN TX 78704	5465	
CUSTOMER		SHT. NO.	
STRUCTURA INC.		E15	